

SPECIAL FEATURES

Economic Type
 Oxygen Clean Service Version
 Standard Followed ASME -B.40.1 / EN837-1
 IP:53

SPECIFICATIONS

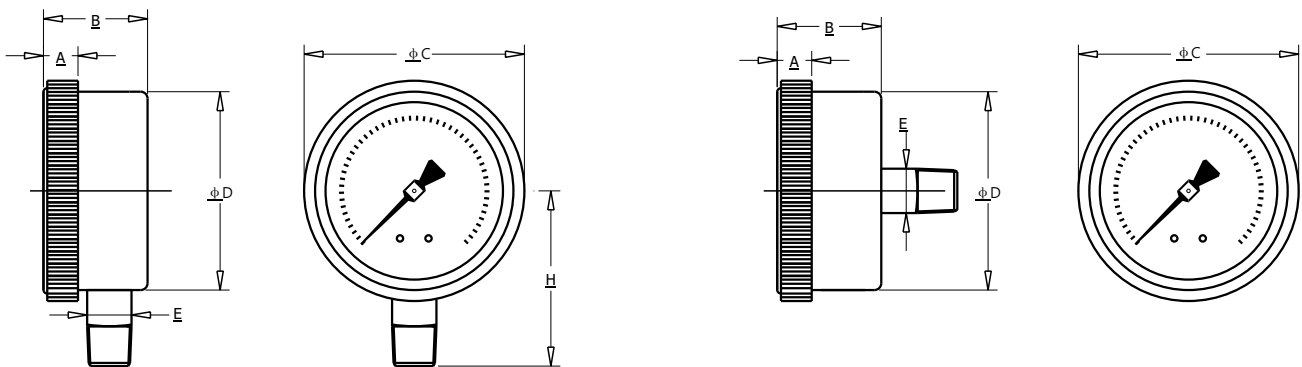
Ambient Temperature: -4°F (-20°C) to +150°F(+65°C)
 Process Temperature: Max.250°F (120°C)
 Operating Pressure Range: 75% of Scale Value
 Over Pressure Limit: 120% of Max.Scale Value
 Case: Steel Powder Coated
 Joints: Alloy Brazing/Soldering
 Socket: Copper Alloy
 Bourdon: Copper Alloy
 Movement: Copper Alloy
 Dial:Aluminum
 Pointer: Fixed
 Window: Twist-on plastic lens
 Range: Vacuum to 6000psi



ACCURACY AS PER ASME B.40.1

2" : 3-2-3 (Grade B)
 2.5" 2-1-2 (Grade A)

*Please consult factory for better accuracy availability.



NS	A	B	φC	φD	E	H	Weight (lbs)
2"	0.37"	1.1"	2.2"	2"	0.55"	2"	0.22
2.5"	0.45"	1.18"	2.6"	2.4"	0.55"	2.3"	0.26

NS	A	B	φC	φD	E	Weight (lbs)
2"	0.37"	1.1"	2.2"	2"	0.55"	0.22
2.5"	0.45"	1.14"	2.6"	2.4"	0.55"	0.26

HOW TO ORDER

Example

NOMINAL SIZE

C	D
2 "	2.5 "

X

TYPE OF MOUNTING

2 BOTTOM
4 CENTER BACK

X

GAUGE CONNECTION

2BM 1/4" BSP(M)
2NM 1/4" NPT(M)
3BM 3/8" BSP(M)
3NM 3/8" NPT(M)
4BM 1/2" BSP(M)
4NM 1/2" NPT(M)
4MM M20 X 1.5(M)

***Please consult factory for any special connections

XXX

RANGE

CODE	E1	E2	E3	E4	E5	E6	E7	E8	E9	E10	E11	E12	E13
RANGE (psi)	-30"hg	-30"hg-15	-30"hg-30	-30"hg-60	-30"hg-100	-30"hg-160	-30"hg-200	-30"hg-300	15	30	60	100	160
CODE	E14	E15	E16	E17	E18	E19	E20	E21	E22	E23	E24	E25	E26
RANGE (psi)	200	300	400	500	600	800	1000	1500	2000	3000	4000	5000	6000

E13

OPTIONAL EXTRAS

SF MOVEMENT WITH DAMPENING JELLY
RH CUSTOM DESIGNED DIAL
ZB RECEIVER RANGE
ZC FREON RANGE (WITH TEMPERATURE SCALE)
ZD AMMONIA RANGE (WITH TEMPERATURE SCALE)
SW DIAL TAG MARKING
RW PLEXI GLASS
RZ TOUGHENED GLASS
SY AISI 316SS TAG PLATE

SJ MAXIMUM READING POINTER WITH PLEXI GLASS (FOR DRY VERSION)
ZM ELECTRO POLISHED CASE & BEZEL
CK EPOXY PAINTED CASE & BEZEL
SQ CASE WITH ROLLING TYPE BEZEL
FK INTEGRAL DAMPENING SCREW (BRASS)
GH MATERIAL TEST CERTIFICATES
PW FIVE POINT CALIBRATION CERTIFICATE NATIONAL/ INTERNATIONAL STANDARDS

XX

Ordering Example: P-38-X-X-XXX-(E13)-XX