

SPECIAL FEATURES

- CE Approved Transmitter
- Local Display With 4 To 20mA Output
- Stainless Steel Case & Measuring System
- Helium leak tested
- Standard Followed ASME -B.40.1 / EN837-1
- IP:54

SPECIFICATIONS

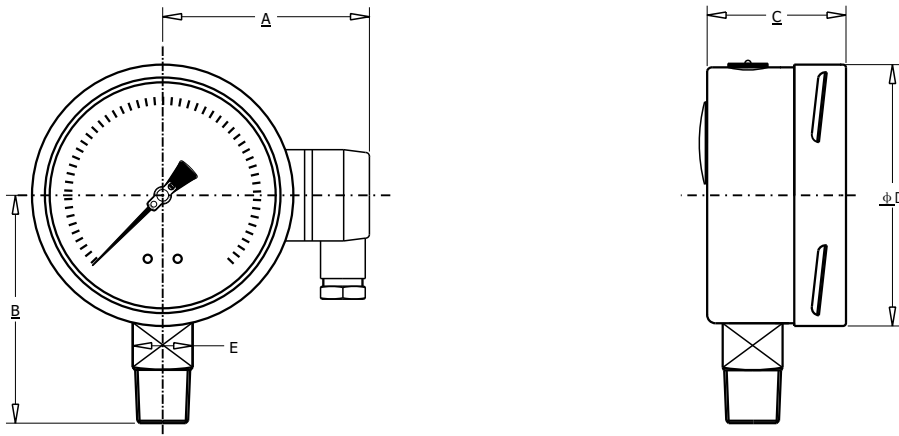
- Ambient Temperature: -4°F(-20°C) to + 150°F (+65°C)
- Process Temperature: Max.392°F (200°C)
- Operating Pressure Range: 75% of Scale Value
- Over Pressure Limit: 125% of Max.Scale Value
- Case: AISI 304 SS
- Joints: Tig Argon Arc Welding
- Socket: AISI 316L SS
- Bourdon: AISI 316L SS
- Dial:Aluminum
- Pointer: Mirco Zero Adjustable
- Window: Safety Glass
- Range: Vacuum to 7500psi
- Signal Output: 4-20mA DC(2-lime)
1-5V. DC(3-lime)
- Working Voltage: 24V.DC
- Element: Ceramic Sensor
- Junction Box: PVC



ACCURACY AS PER ASME B.40.1

4"/6" : 1-1-1 (GRADE 1A)

*Please consult factory for better accuracy availability.



NS	A	B	φC	φD	E	Weight (lbs)
4"	5.59"	3.23"	1.97"	3.98"	0.87"	1.56
6"	7.4"	4.6"	1.97"	5.87"	0.87"	2.72

HOW TO ORDER

Example

NOMINAL SIZE

F H
4 " 6"

X

TYPE OF MOUNTING

- 1 WALL/SURFACE/PROJECTION MOUNTING WITH BOTTOM
- 2 BOTTOM

X

GAUGE CONNECTION

- 2BM** 1/4" BSP(M)
- 2NM** 1/4" NPT(M)
- 3BM** 3/8" BSP(M)
- 3NM** 3/8" NPT(M)
- 4BM** 1/2" BSP(M)
- 4NM** 1/2" NPT(M)
- 4MM** M20 X 1.5(M)

XXX

***Please consult factory for any special connections

RANGE

E13

CODE	E1	E2	E3	E4	E5	E6	E7	E8	E9	E10	E11	E12	E13
RANGE (psi)	-30"hg	-30"hg-15	-30"hg-30	-30"hg-60	-30"hg-100	-30"hg-160	-30"hg-200	-30"hg-300	15	30	60	100	160
CODE	E14	E15	E16	E17	E18	E19	E20	E21	E22	E23	E24	E26	E27
RANGE (psi)	200	300	400	500	600	800	1000	1500	2000	3000	4000	6000	7500

OPTIONAL EXTRAS

XX

- PS** AISI 316 CASE & BEZEL
- PW** FIVE POINT CALIBRATION CERTIFICATE
- PU** CALIBRATION CERTIFICATE TRACEABLE TO NATIONAL/INTERNATIONAL STANDARDS
- QB** INTEGRAL DAMPENING SCREW(AISI 316SS)
- RH** CUSTOM DESIGNED DIAL
- SU** BRASS MOVEMENT
- RW** PLEXI GLASS
- RX** SHATTERPROOF/SAFETY GLASS
- RZ** TOUGHENED
- SW** DIAL TAG MARKING
- GH** MATERIAL TEST CERTIFICATES
- SX** SS TAG PLATE
- SY** AISI 316SS TAG PLATE

Ordering Example: **P-36-X-X-XXX-(E13)-XX**