

## SPECIAL FEATURES

- Standard Followed ASME-B 40.1 / EN837-1
- Cost Effective
- Build in Stabilizer Movement
- Dry or Liquid Version
- 40mm Temperature Compensated Blow Out Disc
- IP 65

## SPECIFICATIONS

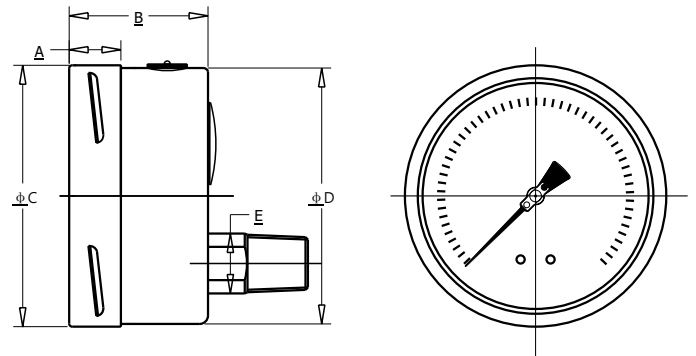
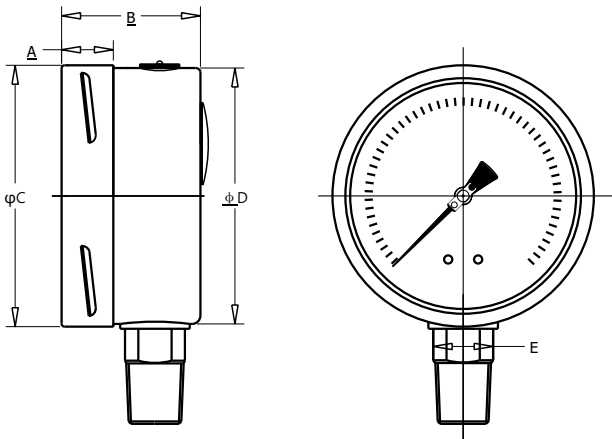
- Ambient Temperature: -4°F (-20°C) to +150°F(+65°C)
- Process Temperature: Max.248°F (120°C)
- Operating Pressure Range: 75% of Scale Value
- Over Pressure Limit: 125% of Max.Scale Value
- Case: AISI 304 SS
- Joints: Alloy brazing/Soldering
- Socket: Copper Alloy
- Bourdon: Copper Alloy
- Movement: Copper Alloy
- Dial: Aluminum
- Pointer: Fixed/Micro Zero Adjustable
- Window: Safety Glass
- Range: Vacuum to 6,000 psi



## ACCURACY AS PER ASME B.40.1

- 2.5"/3" : 2-1-2 (GRADE A)
- 4"/6" : 1-1-1 (GRADE 1A)

\*Please consult factory for better accuracy availability.



NS	A	B	φC	φD	E	Weight (lbs)
2.5"	0.5"	1.36"	2.5"	2.44"	0.55"	0.40
3"	0.55"	1.56"	3.1"	3"	0.67"	0.60
4"	0.67"	1.93"	3.95"	3.9"	0.87"	0.41
6"	0.68"	1.97"	6.34"	6.2"	0.87"	2.65

NS	A	B	φC	φD	E	Weight (lbs)
2.5"	0.5"	1.3"	2.5"	2.44"	0.55"	0.40
3"	0.55"	1.56"	3.1"	3"	0.55"	0.60
4"	0.67"	1.93"	3.95"	3.9"	0.87"	0.41
6"	0.68"	1.97"	6.34"	6.2"	0.87"	2.65

## HOW TO ORDER

### NOMINAL SIZE

D	E	F	H
2.5"	3"	4"	6"

X

### TYPE OF MOUNTING

- 1 WALL/SURFACE/PROJECTION MOUNTING WITH BOTTOM
- 2 BOTTOM
- 3 LOWER BACK
- 4 CENTER BACK
- 5 LOWER BACK WITH FRONT FLANGE
- 6 LOWER BACK WITH MOUNTING BRACKET
- 7 CENTER BACK WITH FRONT FLANGE
- 8 CENTER BACK WITH MOUNTING BRACKET

X

### GAUGE CONNECTION

- 2BM** 1/4" BSP(M)
- 2NM** 1/4" NPT(M)
- 3BM** 3/8" BSP(M)
- 4TM** 1/2" BSPT(M)
- 4BM** 1/2" BSP(M)
- 4NM** 1/2" NPT(M)
- 4MM** M20 X 1.5(M)

\*\*\*Please consult factory for any special connections

XXX

### RANGE

CODE	E1	E2	E3	E4	E5	E6	E7	E8	E9	E10	E11	E12	E13
RANGE (psi)	-30"hg	-30"hg-15	-30"hg-30	-30"hg-60	-30"hg-100	-30"hg-160	-30"hg-200	-30"hg-300	15	30	60	100	160
CODE	E14	E15	E16	E17	E18	E19	E20	E21	E22	E23	E24	E25	E26
RANGE (psi)	200	300	400	500	600	800	1000	1500	2000	3000	4000	5000	6000

E13

### OPTIONAL EXTRAS

- SG** OXYGEN SERVICE (FOR DRY VERSION)
- OA** ACCURACY + 0.5% OF F.S.
- SF** MOVEMENT WITH DAMPENING JELLY
- SI** KNIFE EDGE POINTER
- FN** 2" PIPE/YOKE MOUNTING BRACKET & 'U' CLAMP (AISI 316 SS)
- RG** ANTI PARALLAX MIRROR BAND DIAL
- RH** CUSTOM DESIGNED DIAL
- ZB** RECEIVER RANGE
- AT** ATEX (AS PER 2014/34/EU)
- ZC** FREON RANGE (WITH TEMPERATURE SCALE)
- SW** DIAL TAG MARKING
- RW** PLEXI GLASS
- RX** SHATTERPROOF /SAFETY GLASS
- RZ** TOUGHENED GLASS
- SY** AISI 316SS TAG PLATE
- SJ** MAXIMUM READING POINTER WITH PLEXI GLASS FILLABLE VERSION
- ZM** ELECTRO POLISHED CASE & BEZEL
- CK** EPOXY PAINTED CASE & BEZEL
- PS** AISI 316 SS CASE & BEZEL
- KA** ON-OFF TYPE VENT PLUG
- SX** SS TAG PLATE
- SA** INTERNAL OVERPRESSURE STOP
- SB** INTERNAL VACUUM STOP
- ZL** OVER RANGE PROTECTION
- FK** INTEGRAL DAMPENING SCREW (BRASS)
- FS** FILLABLE LIQUID SILICON OIL
- FG** FILLABLE LIQUID GLYCERINE
- ZZ** DIELECTRIC OIL FILLED
- PX** DAMPENING LIQUID FLOUROLUBE FILLED
- PY** DAMPENING LIQUID GLYCERINE OIL FILLED
- PZ** DAMPENING LIQUID MINERAL LIQUID FILLED
- QA** DAMPENING LIQUID SILICON OIL FILLED
- GH** MATERIAL TEST CERTIFICATES
- PW** FIVE POINT CALIBRATION CERTIFICATE NATIONAL/ INTERNATIONAL STANDARDS

XX

**Ordering Example: P-34-X-X-XXX-(E13)-XX**