

SPECIAL FEATURES

- Phenolic Case With Solid Front Design
- Blow Out Back
- With Diaphragm Seal
- Standard Followed ASME -B.40.1
- Helium Leak Tested
- Built In Stabilizer Movement
- Ready For Oxygen Use
- Internal Vacuum /Over Pressure Stop
- IP:66



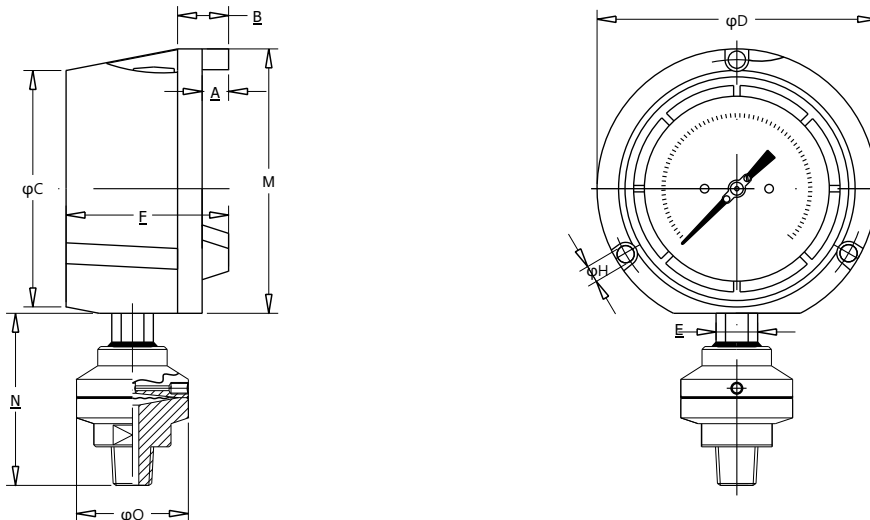
SPECIFICATIONS

- Ambient Temperature: -4°F(-20°C) to + 150°F(+65°C)
- Process Temperature: Max.392°F (200°C)
- Operating Pressure Range: 75% of Scale Value
- Over Pressure Limit: 150% of Max.Scale Value
- Case: Phenolic
- Joints: Tig Argon Arc Welding
- Socket: AISI 316L SS
- Diaphragm: AISI 316L SS
- Movement: AISI 304 SS
- Dial:Aluminum
- Pointer: Micro Zero Adjustable
- Window: Safety Glass
- Range: Vacuum to 6,000psi

ACCURACY AS PER ASME B.40.1

4.5" 0.5-0.5-0.5 GRADE 2A)

*Please consult factory for better accuracy availability.



NS	A	B	φC	φD	E	F	φG	φH	M	N	φO	Weight (lbs)
4.5"	0.6"	1"	5.1"	5.8"	0.87"	3.4"	5.4"	0.2"	5.6"	3.3"	2"	3.26

HOW TO ORDER

Example

NOMINAL SIZE

G

X

TYPE OF MOUNTING

4.5"

X

2 BOTTOM SEAL BODY

XXX

CL AISI 316 SS (Standard)

CM AISI 316L SS

DIAPHRAGM

XX

UJ AISI 316 SS (Standard)

UL HASTELLOY "C"

UM MONEL

UP SILVER

UR TITANIUM

UW INCONEL 600

UQ TANTALUM

PROCESS CONNECTION

XX

WE 1/4" BSP(F)(Standard)

WY 1/4" NPT(M)

WC 3/8" BSP(F)

WA 1/2" NPT(M)

WD 1/2" BSP(F)

WK 3/4" NPT(M)

WJ 3/4" BSP(F)

WS 1/4" BSP(M)

WI 1/4" NPT(F)

WT 3/8" BSP(M)

WH 1/2" NPT(F)

WU 1/2" BSP(M)(Standard)

WL 3/4" NPT(F)

WF 3/4" BSP(M)

NOTE: Connections like metric, PT/PF/Flaired/UNF/G/R etc can be provided on request.

FILLING FLUIDS (*Consult factory for specifications, price and delivery.)

XX

US FLUOROLUBE 4.2[-45 to 175°C]

UY SILICON DC 704[10 to 337]

UT FLUOROLUBE 6.3[-40 to 235°C]

UZ SILICON DC 710[7 to 371]

UU FLUOROLUBE FS-5[-28 to 148°C]

VA SILICON DC 710[7 to 371]

UV FOOD GRADE OIL[-20 to 140°C]

VB SYLTHERM 800[-40 to 315]

UX SILICON DC 200[-40 to 205°C] (Standard)

VC SYLTHERM XLT[-100 to 260]
HALOCARBON OIL*

REMOTE MOUNTING (With capillary of Max. Up to 2 Mtrs.)

X

SPECIFY IN METERS (eg. 1.5=1.5 METERS 2.0=2 METERS)

CAPILLARY

X

PE AISI 304 SS

PG AISI 316 SS

CAPILLARY COVERED WITH ARMOUR (Applicable with PE or PG if selected)

XXX

PF AISI 304 SS

PH AISI 316 SS

PI PVC

RANGE

E13

CODE	E1	E2	E3	E4	E5	E6	E7	E8	E9	E10	E11	E12	E13
RANGE (psi)	-30"hg	-30"hg-15	-30"hg-30	-30"hg-60	-30"hg-100	-30"hg-160	-30"hg-200	-30"hg-300	15	30	60	100	160
CODE	E14	E15	E16	E17	E18	E19	E20	E21	E22	E23	E24	E25	E26
RANGE (psi)	200	300	400	500	600	800	1000	1500	2000	3000	4000	5000	6000

OPTIONAL EXTRAS AS PER P-05

XX

Ordering Example: P-33-X-X-XXX-XX-XX-XX-X-X-XXX-(E13)-XX