

SPECIAL FEATURES

All Welded Media Chamber
 Static Pressure Up To 600 psi
 Overload Safety Ensured by All Metal Construction
 Standard Followed ASME -B.40.1 / EN837-3
 IP:66

SPECIFICATIONS

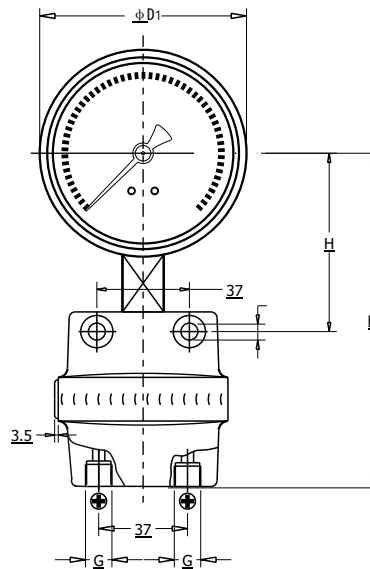
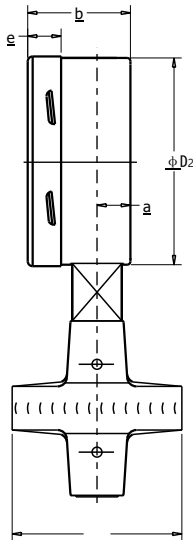
Ambient Temperature: -4°F (-20°C) to +150°F(+65°C)
 Process Temperature: Max.212°F (+100°C)
 Operating Pressure Range: 75% of Scale Value
 Over Pressure Limit: 125% of Max.Scale Value
 Case: AISI 304 SS
 Joints: Tig Argon Arc Welding
 Chamber: AISI 316 SS
 Diaphragm: AISI 316L SS
 Movement: AISI 304 SS
 Dial:Aluminum
 Pointer: Micro Zero Adjustable
 Window: Safety Glass
 Range: Vacuum to 15"WC-160psi



ACCURACY AS PER ASME B.40.1

4"/6" : 2-1-2 (GRADE A)

*Please consult factory for better accuracy availability.



NS	Scale range	a	b	φD1	φD2	φd	e	G	h+1	H	Weight (lbs)
4"	≤0.25bar	0.61"	1.95"	4.0"	3.9"	5.5"	0.7"	G1/4"	6.3"	3.5"	4.01
4"	0.25bar	0.61"	1.95"	4.0"	3.9"	3.1"	0.7"	G1/4"	6.7"	3.4"	4.01
6"	≤0.25bar	0.61"	1.95"	6.3"	6.3"	5.5"	0.7"	G1/4"	7.5"	4.7"	4.94
6"	>0.25bar	0.61"	1.95"	6.3"	6.3"	3.1"	0.7"	G1/4"	7.9"	4.6"	4.94

Example

HOW TO ORDER

NOMINAL SIZE

F H
4" 6"

X

TYPE OF MOUNTING

- 1 WALL/SURFACE/PROJECTION MOUNTING WITH BOTTOM
- 2 BOTTOM

X

GAUGE CONNECTION

- 2BF** 1/4" BSP(F)
- 2NF** 1/4" NPT(F)(Standard)

***Please consult factory for any special connections

XXX

DIAPHRAGM

- UJ** AISI 316L SS(Standard)
- UJ** MONEL

XX

SEAL CHAMBER

- RB** AISI 316 SS(Standard)
- RD** MONEL

XX

FILLING FLUIDS

- UX** SILICON DC 200 (-40 TO 205°C/-40 TO 401 °F) (Standard)

X

RANGE

CODE	LPE7	LPE8	LPE9	LPE10	LPE11	LPE12
RANGE ("WC)	15"WC	30"WC	35"WC	60"WC	100"WC	160"WC
CODE	LPE13	LPE14	LPE15	LPE16	LPE17	LPE18
RANGE (psi)	10psi	15psi	30psi	60psi	100psi	160psi

LPE9

OPTIONAL EXTRAS

- TI** MONEL DIAPHRAGM & CHAMBER (MONEL VERSION)
- TF** TESTED TO NACE STANDARD
- TB** HELIUM LEAK TEST
- SD** AISI 316 SS MOVEMENT
- SI** KNIFE EDGE POINTER
- FN** 2" PIPE/YOKE MOUNTING BRACKET & 'U' CLAMP (AISI 316 SS)
- RG** ANTI PARALLAX MIRROR BAND DIAL
- RH** CUSTOM DESIGNED DIAL
- SW** DIAL TAG MARKING
- RW** PLEXI GLASS
- RX** SHATTERPROOF /SAFETY GLASS
- RZ** TOUGHENED GLASS
- SJ** MAXIMUM READING POINTER WITH PLEXI GLASS FILLABLE VERSION
- ZM** ELECTRO POLISHED CASE & BEZEL
- CK** EPOXY PAINTED CASE & BEZEL
- OS** CASE WITH BAYONET TYPE BEZEL
- PS** AISI 316 SS CASE & BEZEL
- KA** ON-OFF TYPE VENT PLUG
- SX** SS TAG PLATE
- SY** AISI 316SS TAG PLATE
- FS** FILLABLE LIQUID SILICON OIL
- FG** FILLABLE LIQUID GLYCERINE
- ZZ** DIELECTRIC OIL FILLED
- PX** DAMPENING LIQUID FLUOROLUBE FILLED
- PY** DAMPENING LIQUID GLYCERINE OIL FILLED
- PZ** DAMPENING LIQUID MINERAL LIQUID FILLED
- QA** DAMPENING LIQUID SILICON OIL FILLED
- GH** MATERIAL TEST CERTIFICATES
- PW** FIVE POINT CALIBRATION CERTIFICATE NATIONAL/ INTERNATIONAL STANDARDS

XX

Ordering Example: P-32-X-X--XX-XX-X-(LPE9)-XX