

SPECIAL FEATURES

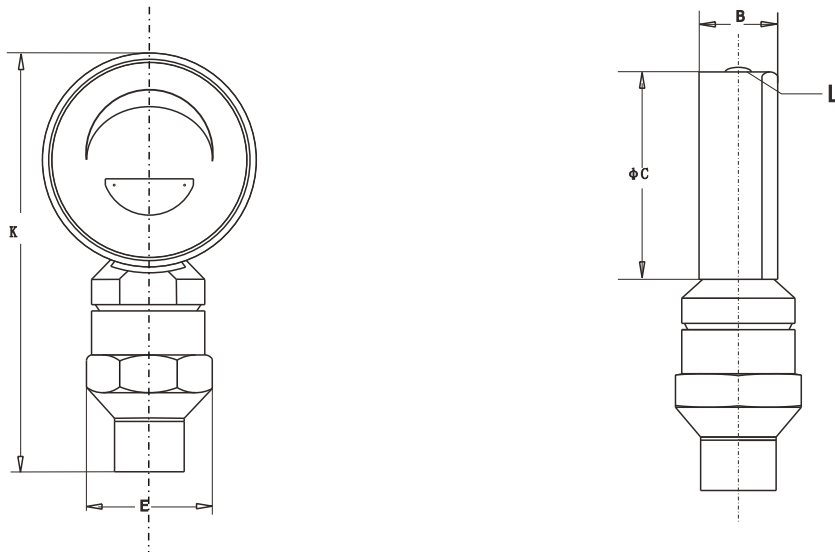
- Provide accurate Pressure Reading
- and Built In Dampening
- Liquid Filled Gauge Minimized Vibration
- And Wear To Gauge Movement
- Quick And Accurate Response To Pressure Changes
- The Stationery Dial And Moving Pointer Is Easy Seen

SPECIFICATIONS

- Ambient Temperature: -77°F(-25°C) to + 131°F(+55°C)
- Operating Pressure Range: 75% of Scale Value
- Fork: Stainless Steel
- Movement: Brass
- Dial: Aluminum
- Pointer: Fixed
- Window: Perspex
- Case filling: Glycerine Filled
- Case&ring: Gun Metal Casting, Weather Proof Gray Hammertone
- Mounting & Entry: Direct With Bottom
- Sensing Element: AISI 316L SS Diaphragm
- Chamber Material: Stainless Steel
- Sealing Fluid: Silicon Oil
- Mud Protection: Neoprene Rubber Pad
- Process Connection: 2" NPT(M)
- Process Conn. Material: Mild Steel, Anti-Corrosion Treated
- Accuracy: 3-2-3 (Grade B)
2-1-2 (Grade A)



Example



NS	K	B	φC	L	E
4"	7.0"	2.09"	4.9"	0.89"	2.56"
6"	6.8"	2.17"	6.3"	0.85"	2.76"

HOW TO ORDER

SERIES

P-31

X

TYPE OF MOUNTING

2 BOTTOM

XX

GAUGE CONNECTION

- 12BM** 1 1/2" BSP(M)
- 12NM** 1 1/2" NPT(M)
- JA** 2" BSP(M)
- JS** 2" NPT(M)

XX

RANGE

7MPa	16MPa	25MPa	35MPa	40MPa	60MPa	80MPa	100MPa
------	-------	-------	-------	-------	-------	-------	--------

XXX

***Please consult factory for any special connections

Ordering Example: P-31-X-XX-XX