

SPECIAL FEATURES

Wetted Parts AISI 316L Stainless Steel
 Dry or Liquid Version
 NACE MR 0175 Compliance
 Helium Leak Tested
 Internal Vacuum/ Over Pressure Stops
 IP:65

SPECIFICATIONS

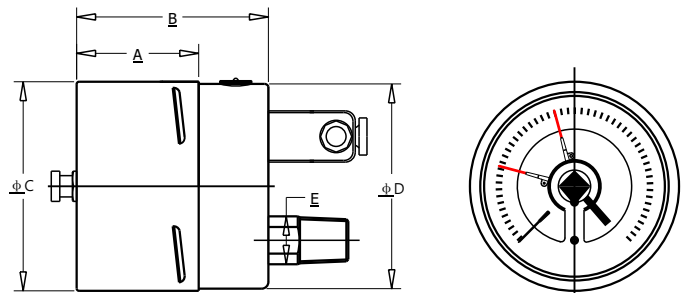
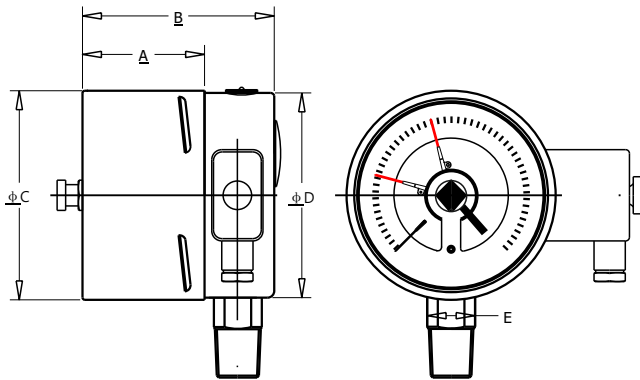
Ambient Temperature: -4°F (-20°C) to +150°F(+65°C)
 Process Temperature: Max.392°F (200°C)
 Operating Pressure Range: 75% of Scale Value
 Over Pressure Limit: 125% of Max.Scale Value
 Case: AISI 304 SS
 Joints: Tig Argon Arc Welding
 Socket: AISI 316L SS
 Bourdon: AISI 316L SS
 Movement: AISI 304 SS
 Dial:Aluminum
 Pointer: Fixed
 Contact: Silver-Nickel
 Window: Safety Glass
 Range: Vacuum to 10,000PSI



ACCURACY AS PER ASME B.40.1

4"/6" : 1-1-1 (GRADE 1A)

*Please consult factory for better accuracy availability.



NS	A	B	φC	φD	E	Weight (lbs)
4"	2.2"	3.46"	3.95"	3.9"	0.87"	2.50
6"	2.13"	3.4"	6"	5.87"	0.87"	3.20

NS	A	B	φC	φD	E	Weight (lbs)
4"	2.2"	3.46"	3.95"	3.9"	0.87"	2.50

Example

HOW TO ORDER

NOMINAL SIZE

F H

X

TYPE OF MOUNTING

4" 6"

X

- 1 WALL/SURFACE/PROJECTION MOUNTING WITH BOTTOM
- 2 BOTTOM
- 3 LOWER BACK
- 5 LOWER BACK WITH FRONT FLANGE
- 6 LOWER BRCK WITH MOUNYING BRACKET

GAUGE CONNECTION

- 2BM** 1/4"BSP(M)
- 2NM** 1/4"NPT(M)
- 3BM** 3/8"BSP(M)
- 3NM** 3/8"NPT(M)
- 4BM** 1/2"BSP(M)
- 4NM** 1/2"NPT(M)
- 4MM** M20 X 1.5(M)
- 4TM** 1/2"BSPT(M)

***Please consult factory for any special connections

XXX

ELECTRIC CONTACTS

A)SINGLE INSULATED MAGNETIC SNAP ACTION TYPE*
(230 V AC,1 Amp.) (48 V DC,0.5 Amp)

B)INDUCTIVE TYPE (220 V AC,0.4 Amp.)

- RJ** Single; NORMALLY CLOSED(1NC)
- RK** Double; NORMALLY CLOSED+NORMALLY OPEN (1NC+1NO)
- RL** Singe; NORMALLY OPEN(1NO)
- RM** Double; NORMALLY OPEN+NORMALLY CLOSED(1NO+1NC)
- RN** Double; NORMALLY CLOSED (BOTH NC)
- RO** Double; NORMALLY OPEN(BOTH NO)
- RU** BOOSTER WITH RELAY FOR CURRENT UPTO 5 Amp
- RA** SPDT
- RC** DPDT

- YW** Single; NORMALLY OPEN(1NO)
- YV** Single; NORMALLY CLOSED(1NC)
- YX** Double; NORMALLY CLOSED+NORMALLY OPEN (1NC+1NO)
- YY** Double; NORMALLY OPEN(BOTH NO)
- YZ** Double; NORMALLY CLOSED(BOTH NC)
- ZA** Double; NORMALLY OPEN+NORMALLY CLOSED (1NO+1NC)

*FOR DOUBLE INSULATED ELECTRICAL CONTACTS,CONSULT FACTORY FOR PRICE & DELIVERY.

XXX

RANGE

CODE	E1	E2	E3	E4	E5	E6	E7	E8	E9	E10	E11	E12	E13	E14
RANGE (psi)	-30"hg	-30"hg-15	-30"hg-30	-30"hg-60	-30"hg-100	-30"hg-160	-30"hg-200	-30"hg-300	15	30	60	100	160	200
CODE	E15	E16	E17	E18	E19	E20	E21	E22	E23	E24	E25	E26	E27	E28
RANGE (psi)	300	400	500	600	800	1000	1500	2000	3000	4000	5000	6000	7500	10,000

E13

OPTIONAL EXTRAS

- SG** OXYGEN SERVICE (FOR DRY VERSION)
- TI** MONEL BOURDON & SOCKET (MONEL VERSION)
- TF** TESTED TO NACE STANDARD
- TB** HELIUM LEAK TEST
- SD** AISI 316 SS MOVEMENT
- SF** MOVEMENT WITH DAMPENING JELLY
- RI** 25mm BOD
- FN** 2" PIPE/YOKE MOUNTING BRACKET & 'U' CLAMP (AISI 316 SS)
- RG** ANTI PARALLAX MIRROR BAND DIAL
- RH** CUSTOM DESIGNED DIAL
- ZB** RECEIVER RANGE
- SW** DIAL TAG MARKING
- RW** PLEXI GLASS
- RX** SHATTERPROOF /SAFETY GLASS
- RZ** TOUGHENED GLASS
- ZM** ELECTRO POLISHED CASE & BEZEL
- CK** EPOXY PAINTED CASE & BEZEL
- OS** CASE WITH BAYONET TYPE BEZEL
- PS** AISI 316 SS CASE & BEZEL
- KA** ON-OFF TYPE VENT PLUG
- SX** SS TAG PLATE
- SY** AISI 316SS TAG PLATE
- SA** INTERNAL OVERPRESSURE STOP
- SB** INTERNAL VACUUM STOP
- ZL** OVER RANGE PROTECTION
- QB** INTEGRAL DAMPENING SCREW (AISI 316 SS)
- FL** INTEGRAL DAMPENING SCREW (MONEL)
- ZZ** DIELECTRIC OIL FILLED
- GH** MATERIAL TEST CERTIFICATES
- PW** FIVE POINT CALIBRATION CERTIFICATE NATIONAL/ INTERNATIONAL STANDARDS

XX

Ordering Example: **P-27-X-X-XXX-(E13)-XX**