

## SPECIAL FEATURES

Economy Version  
 Black Steel Case And Plastic  
 Chrome Plated Block Valve  
 Standard Followed AMSE -B.40.1/EN837-1  
 IP:52

## SPECIFICATIONS

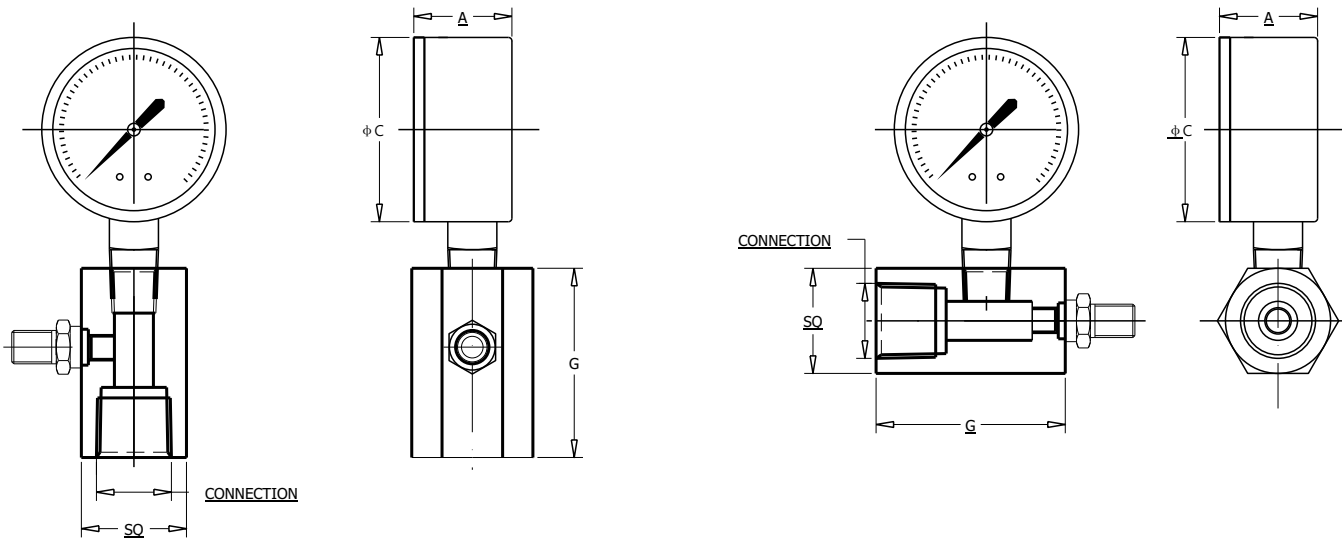
Ambient Temperature: -4°F (-20°C) to + 150°F (+65°C)  
 Process Temperature: Max.248°F (120°C)  
 Operating Pressure Range: 75% of Scale Value  
 Over Pressure Limit: 125% of Max.Scale Value  
 Case: Black Steel Case  
 Joints: Alloy Brazing/Soldering  
 Socket: Copper Alloy  
 Bourdon: Copper Alloy  
 Movement: Copper Alloy  
 Block:Chrome Plated Steel Block  
 Dial: Aluminum  
 Pointer: Fixed  
 Window: Snap-in Plastic lens  
 Range: 15psi to 300psi



## ACCURACY AS PER ASME B.40.1

2" 3-2-3 GRADE B )

\*Please consult factory for better accuracy availability.



CONNECTION	A	φC	E	G	SQ	Weight (lbs)
1/2"NPT	1.1"	2"	0.55"	2.13"	1.18"	0.71
3/4"NPT	1.1"	2"	0.55"	2.13"	1.18"	0.71
1"NPT	1.1"	2"	0.55"	2.13"	1.42"	0.71

CONNECTION	A	φC	E	G	SQ	Weight (lbs)
1/2"NPT	1.1"	2"	0.55"	2.13"	1.18"	0.71
3/4"NPT	1.1"	2"	0.55"	2.13"	1.18"	0.71
1"NPT	1.1"	2"	0.55"	2.13"	1.42"	0.71

## HOW TO ORDER

Example

### NOMINAL SIZE

C  
2"

X

### TYPE OF MOUNTING

2 BOTTOM

X

### GAUGE CONNECTION

- 2BM** 1/4" BSP(M)
- 2NM** 1/4" NPT(M)
- 2TM** 1/4" BSPT(M)
- 3BM** 3/8" BSP(M)
- 3NM** 3/8" NPT(M)

\*\*\*Please consult factory for any special connections

XXX

### BLOCK MOUNTING

**V** Vertical

**H** Horizontal

XXX

### BLOCK CONNECTION

**8NF** 1" NPT(F)

**6NF** 3/4" NPT(F)

**4NF** 1/2" NPT(F) STANDARD

XXX

### RANGE

E13

CODE	E9	E10	E11	E12
RANGE ( psi )	15	30	60	100
CODE	E13	E14	E15	
RANGE ( psi )	160	200	300	

**Ordering Example: P-23-X-X-XXX-XX-XX-(E13)**