

SPECIAL FEATURES

- Standard Followed ASME-B 40.1 / EN837-3
- Wetted Parts AISI 316L Stainless Steel
- Build in Stabilizer Movement
- Diaphragm Seal Integrally Built With Gauge
- Dry or Liquid Version
- NACE MR 0175 Compliance
- Helium Leak Tested
- Provides Best Hygiene Factor
- IP 65

SPECIFICATIONS

- Ambient Temperature: -4°F(-20°C) to + 150°F(+65°C)
- Process Temperature: Max.212°F (100°C)
- Operating Pressure Range: 75% of Scale Value
- Over Pressure Limit: 125% of Max.Scale Value
- Case: AISI 304 SS
- Joints: Tig Argon Arc Welding
- Socket: AISI 316L SS
- Bourdon: AISI 316L SS
- Movement: AISI 304 SS
- Diaphragm: AISI 316L SS
- Sanitary Seal: 1 1/2" in AISI 316 SS
- Dial: Aluminum
- Pointer: Fixed/Micro Zero Adjustable
- Window: Safety Glass
- Range: Vacuum to 600psi

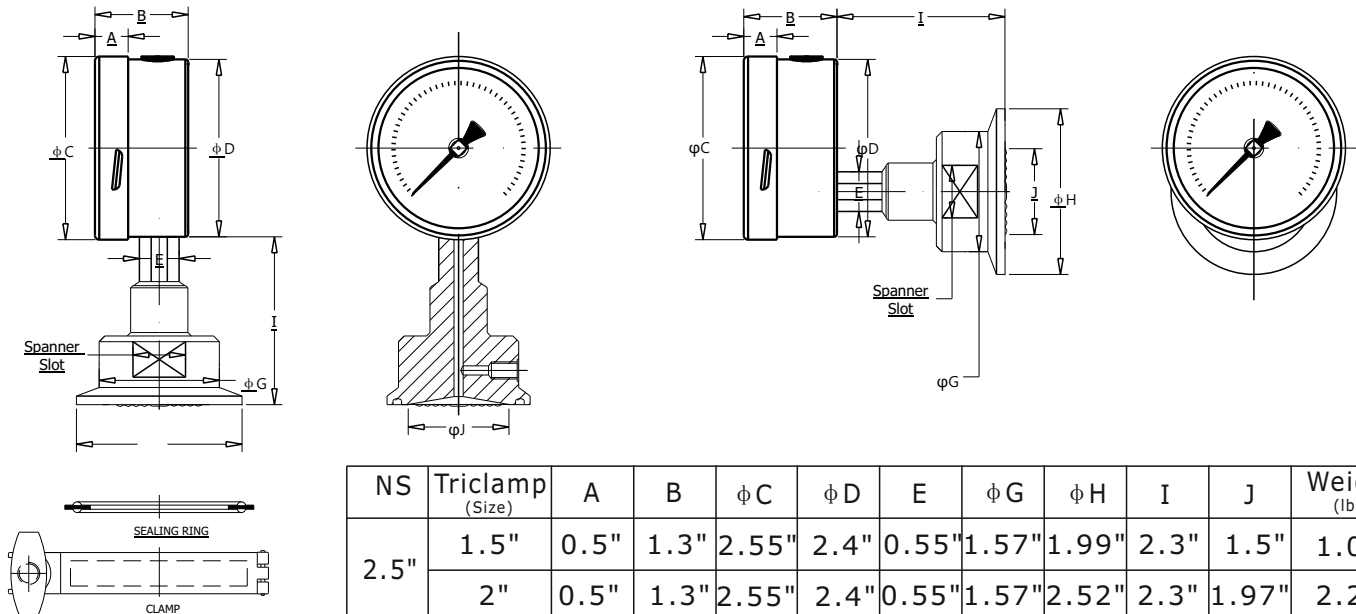


ACCURACY AS PER ASME B.40.1

2.5"/3" 2-1-2 (GRADE A)

4" : 1-1-1 (GRADE 1A)

*Please consult factory for better accuracy availability.



NS	Triclamp (Size)	A	B	φC	φD	E	φG	φH	I	J	Weight (lbs)
2.5"	1.5"	0.5"	1.3"	2.55"	2.4"	0.55"	1.57"	1.99"	2.3"	1.5"	1.01
	2"	0.5"	1.3"	2.55"	2.4"	0.55"	1.57"	2.52"	2.3"	1.97"	2.29
3"	1.5"	0.5"	1.5"	3.1"	3.05"	0.67"	1.57"	1.99"	2.3"	1.5"	1.56
	2"	0.5"	1.5"	3.1"	3.05"	0.67"	1.57"	2.52"	2.3"	1.97"	2.54
4"	1.5"	0.6"	1.9"	4"	3.9"	0.87"	1.57"	1.99"	2.3"	1.5"	1.81
	2"	0.6"	1.9"	4"	3.9"	0.87"	1.57"	2.52"	2.3"	1.97"	3.26

HOW TO ORDER

Example

NOMINAL SIZE

D	E	F
2.5"	3"	4"

X

TYPE OF MOUNTING

- 2 BOTTOM
- 3 LOWER BACK
- 4 CENTER BACK

X

SANITARY SEAL (For 1" size sanitary seal, consult factory for drawing, price and delivery.)

- YO** 2" SANITARY SEAL IN AISI 316SS **YP** 2 1/2" SANITARY SEAL IN AISI 316 SS
- YN** 1 1/2" SANITARY SEAL IN AISI 316SS (Standard)

XXX

BODY

- CL** AISI 316SS (Standard) **CM** AISI 316L SS

XX

DIAPHRAGM

- UJ** AISI 316L (Standard)

XX

FILLING FLUIDS

- UV** FOOD GRADE OIL(-20 TO 140 / -4 TO 284 Standard)

XX

CLAMP

- ZO** 1 1/2" CLAMP IN AISI 304 **ZQ** 2 1/2" CLAMP IN AISI 304
- ZP** 2" CLAMP IN AISI 304

XX

GASKET (SEALING RING)

- FX** 1 1/2" SILICON GASKET **FZ** 2 1/2" SILICON GASKET
- FY** 2" SILICON GASKET

XX

BOTTOM MATING PART

- KB** 2 1/2" SANITARY SEAL IN AISI 316 **KD** 2 1/2" SANITARY SEAL IN AISI 316
- KD** 1 1/2" SANITARY SEAL IN AISI 316

XX

RANGE

E13

CODE	E1	E2	E3	E4	E5	E6	E7	E8	E9
RANGE (psi)	-30"hg	-30"hg-15	-30"hg-30	-30"hg-60	-30"hg-100	-30"hg-160	-30"hg-200	-30"hg-300	15
CODE	E10	E11	E12	E13	E14	E15	E16	E17	E18
RANGE (psi)	30	60	100	160	200	300	400	500	600

OPTIONAL EXTRAS AS PER P-25

XX

Ordering Example: P-20-X-X-XXX-XX-XX-XX-XX-XX-XX-(E13)-XX