

## SPECIAL FEATURES

Standard Followed ASME-B 40.1 / EN837-1  
 Forged Brass Case  
 Rugged Construction  
 Dry or Liquid Version  
 IP 65

## SPECIFICATIONS

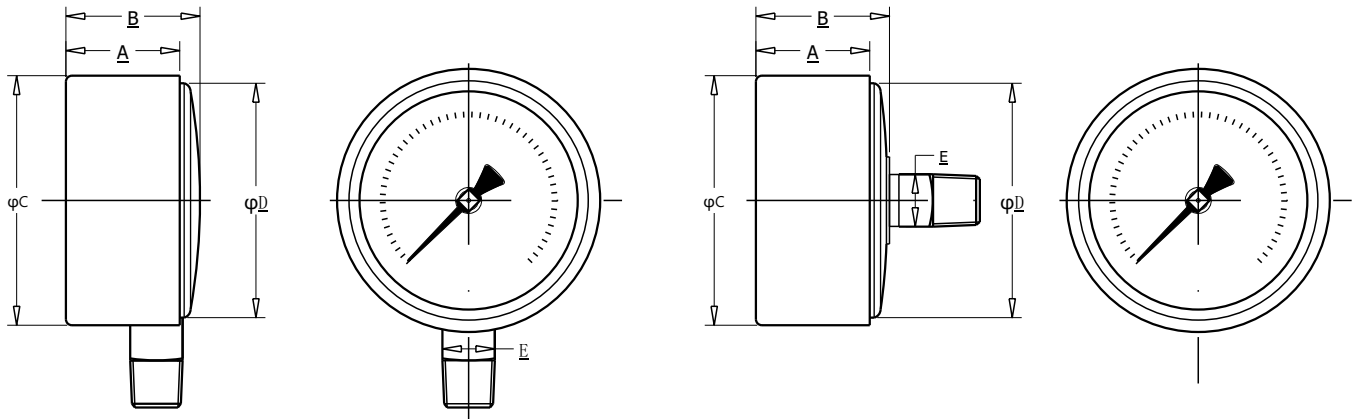
Ambient Temperature: -4°F(-20°C) to + 150°F (+65°C)  
 Process Temperature: Max.248°F (120°C)  
 Operating Pressure Range: 75% of Scale Value  
 Over Pressure Limit: 125% of Max.Scale Value  
 Case: Forged brass  
 Joints: Alloy brazing/Soldering  
 Socket: Copper Alloy  
 Bourdon: Copper Alloy  
 Movement: Copper Alloy  
 Dial: Aluminum  
 Pointer: Fixed  
 Window: PC Lens  
 Range: Vacuum to 6000PSI



## ACCURACY AS PER ASME B.40.1

2.5" : 2-1-2(GRADE A )

\*Please consult factory for better accuracy availability.



NS	A	B	φC	φD	E	Weight (lbs)
2.5"	1.2"	1.46"	2.58"	2.4"	0.55"	0.75

NS	A	B	φC	φD	E	Weight (lbs)
2.5"	1.2"	1.46"	2.58"	2.4"	0.55"	0.75

## HOW TO ORDER

Example

### NOMINAL SIZE

D

2.5"

X

### TYPE OF MOUNTING

- 2 BOTTOM
- 4 CENTER BACK
- 7 CENTER BACK WITH FRONT FLANGE
- 8 CENTER BACK WITH MOUNTING BRACKET

X

### GAUGE CONNECTION

- 2BM** 1/4" BSP(M)
- 2NM** 1/4" NPT(M)
- 3BM** 3/8" BSP(M)
- 3NM** 3/8" NPT(M)
- 4BM** 1/2" BSP(M)
- 4NM** 1/2" NPT(M)
- 4MM** M20 X 1.5(M)

\*\*\*Please consult factory for any special connections

XXX

### RANGE

CODE	E1	E2	E3	E4	E5	E6	E7	E8	E9	E10	E11	E12	E13
RANGE ( psi )	-30"hg	-30"hg-15	-30"hg-30	-30"hg-60	-30"hg-100	-30"hg-160	-30"hg-200	-30"hg-300	15	30	60	100	160
CODE	E14	E15	E16	E17	E18	E19	E20	E21	E22	E23	E24	E25	E26
RANGE ( psi )	200	300	400	500	600	800	1000	1500	2000	3000	4000	5000	6000

E13

### OPTIONAL EXTRAS

- |  |   |
|--|---|
| <b>SF</b> MOVEMENT WITH DAMPENING JELLY    | <b>FS</b> FILLABLE LIQUID SILICON OIL   |
| <b>RH</b> CUSTOM DESIGNED DIAL             | <b>FG</b> FILLABLE LIQUID GLYCERINE   |
| <b>SW</b> DIAL TAG MARKING                 | <b>PY</b> DAMPENING LIQUID GLYCERINE OIL FILLED                                   |
| <b>RW</b> PLEXI GLASS                      | <b>QA</b> DAMPENING LIQUID SILICON OIL FILLED                                     |
| <b>SQ</b> CASE WITH ROLLING TYPE BEZEL     | <b>GH</b> MATERIAL TEST CERTIFICATES  |
| <b>SX</b> SS TAG PLATE                     | <b>PW</b> FIVE POINT CALIBRATION CERTIFICATE NATIONAL/<br>INTERNATIONAL STANDARDS |
| <b>SY</b> AISI 316SS TAG PLATE             |   |
| <b>FK</b> INTEGRAL DAMPENING SCREW (BRASS) |   |

XX

**Ordering Example: P-18-X-X-XXX-(E13)-XX**