

## SPECIAL FEATURES

- Standard Followed ASME-B 40.1
- Phenolic Case With Solid Front Design
- Blow Out Back
- Wetted Parts AISI 316L Stainless Steel
- External Zero Adjustable
- Ready For Oxygen Service
- IP 65

## SPECIFICATIONS

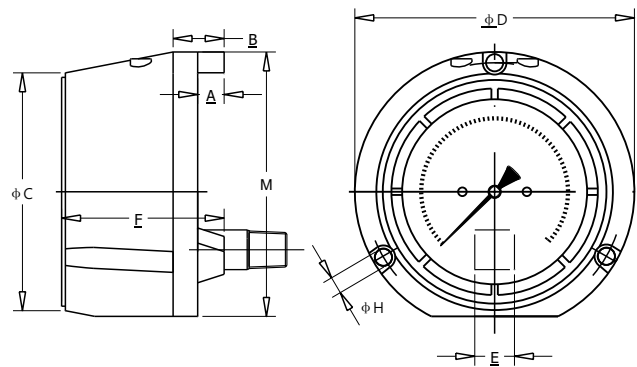
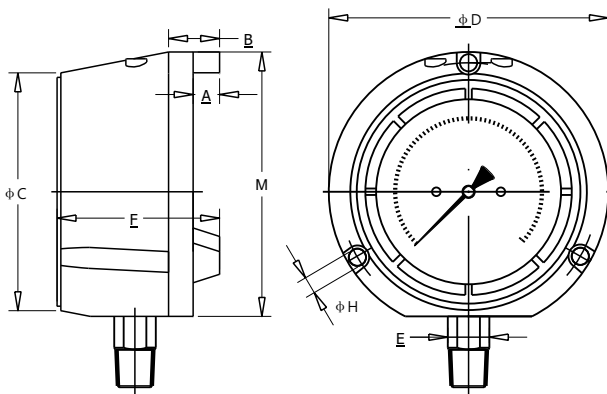
- Ambient Temperature: -4°F (-20°C) to +150°F (+65°C)
- Process Temperature: Max. 248°F (120°C)
- Operating Pressure Range: 75% of Scale Value
- Over Pressure Limit: 110% of Max. Scale Value
- Case: Phenolic
- Joints: Tig Argon Arc Welding
- Socket: AISI 316L SS
- Capsule: AISI 316L SS
- Movement: AISI 304 SS
- Dial: Aluminum
- Pointer: Fixed
- Window: Safety Glass
- Range: -250-0"wc to 0-250"wc



## ACCURACY AS PER ASME B.40.1

4.5" 2-1-2 GRADE A )

\*Please consult factory for better accuracy availability.



| NS    | A    | B    | φC   | φD   | Weight<br>(lbs) |
|-------|------|------|------|------|-----------------|
| 4.5"  | 0.5" | 1"   | 5"   | 6"   |                 |
| E     | F    | φG   | φH   | M    | 2.2             |
| 0.87" | 3.2" | 5.5" | 0.3" | 5.6" |                 |

| NS    | A    | B    | φC   | φD   | Weight<br>(lbs) |
|-------|------|------|------|------|-----------------|
| 4.5"  | 0.6" | 1"   | 5.1" | 5.8" |                 |
| E     | F    | φG   | φH   | M    | 2.2             |
| 0.87" | 3.4" | 5.4" | 0.2" | 5.6" |                 |

## HOW TO ORDER

Example

### NOMINAL SIZE

G  
4.5"

X

### TYPE OF MOUNTING

- 1 WALL/SURFACE/PROJECTION MOUNTING WITH BOTTOM
- 3 LOWER BACK

X

### GAUGE CONNECTION

- 2BM** 1/4" BSP(M)
- 2NM** 1/4" NPT(M)
- 3BM** 3/8" BSP(M)
- 3NM** 3/8" NPT(M)
- 4BM** 1/2" BSP(M)
- 4NM** 1/2" NPT(M)
- 4MM** M20 X 1.5(M)

\*\*\*Please consult factory for any special connections

XXX

### RANGE

LPE9

| CODE             | LPE1   | LPE2   | LPE3   | LPE4  | LPE5  | LPE6  | LPE7  |
|------------------|--------|--------|--------|-------|-------|-------|-------|
| RANGE<br>( °WC ) | -250-0 | -160-0 | -100-0 | -60-0 | -30-0 | -15-0 | -10-0 |
| CODE             | LPE8   | LPE9   | LPE10  | LPE11 | LPE12 | LPE13 | LPE14 |
| RANGE<br>( °WC ) | -250-0 | -160-0 | -100-0 | -60-0 | -30-0 | -15-0 | -10-0 |

### OPTIONAL EXTRAS

XX

- |  |   |
|--|---|
| <ul style="list-style-type: none"> <li><b>SG</b> OXYGEN SERVICE (FOR DRY VERSION)</li> <li><b>TI</b> MONEL BOURDON &amp; SOCKET (MONEL VERSION)</li> <li><b>TF</b> TESTED TO NACE STANDARD</li> <li><b>TB</b> HELIUM LEAK TEST</li> <li><b>SD</b> AISI 316 SS MOVEMENT</li> <li><b>SI</b> KNIFE EDGE POINTER</li> <li><b>FN</b> 2" PIPE/YOKE MOUNTING BRACKET &amp; 'U' CLAMP (AISI 316 SS)</li> <li><b>RG</b> ANTI PARALLAX MIRROR BAND DIAL</li> <li><b>RH</b> CUSTOM DESIGNED DIAL</li> <li><b>SW</b> DIAL TAG MARKING</li> </ul> | <ul style="list-style-type: none"> <li><b>RW</b> PLEXI GLASS</li> <li><b>RX</b> SHATTERPROOF /SAFETY GLASS</li> <li><b>RZ</b> TOUGHENED GLASS</li> <li><b>SX</b> SS TAG PLATE</li> <li><b>SY</b> AISI 316 SS TAG PLATE</li> <li><b>QB</b> INTEGRAL DAMPENING SCREW (AISI 316 SS)</li> <li><b>FL</b> INTEGRAL DAMPENING SCREW (MONEL)</li> <li><b>FS</b> FILLABLE LIQUID SILICON OIL</li> <li><b>QA</b> DAMPENING LIQUID SILICON OIL FILLED</li> <li><b>GH</b> MATERIAL TEST CERTIFICATES</li> <li><b>PW</b> FIVE POINT CALIBRATION CERTIFICATE NATIONAL/ INTERNATIONAL STANDARDS</li> </ul> |
|--|---|

**Ordering Example: P-08-X-X-XXX-(LPE9)-XX**