

## SPECIAL FEATURES

Standard Followed ASME-B 40.1 / EN837-3  
 Wetted Parts AISI 316L Stainless Steel  
 Helium Leak Tested  
 External Zero Adjustable  
 Ready For Oxygen Service  
 IP 65

## SPECIFICATIONS

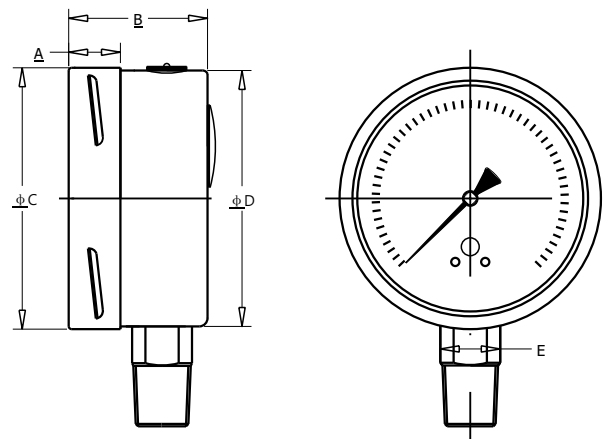
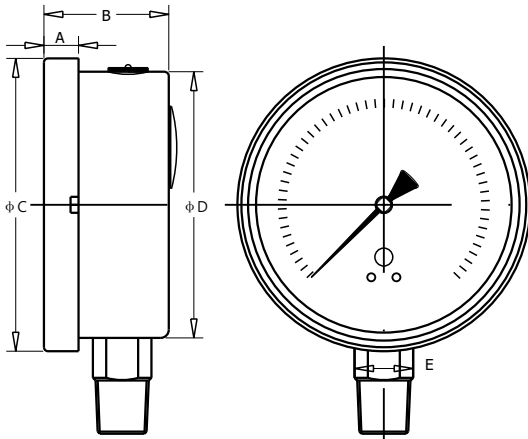
Ambient Temperature: -4°F(-20°C) to +150°F(+65°C)  
 Process Temperature: Max. 212°F(100°C)  
 Operating Pressure Range: 75% of Scale Value  
 Over Pressure Limit: 110% of Max. Scale Value  
 Case: AISI 304SS  
 Joints: Tig Argon Arc Welding  
 Socket: AISI 316L SS  
 Capsule: AISI 316L SS  
 Movement: AISI 304 SS  
 Dial: Aluminum  
 Pointer: Fixed  
 Window: Safety Glass  
 Ranges: -250-0"wc to 0-250"wc



## ACCURACY AS PER ASME B.40.1

2.5"/3"/4"/4.5"/6" : 2-1-2 (Grade A)

\*Please consult factory for better accuracy availability.



NS	A	B	φC	φD	E	Weight (lbs)
2.5"	0.5"	1.6"	2.8"	2.6"	0.6"	0.57
3"	0.5"	1.6"	3.3"	3"	0.6"	0.75
4.5"	0.6"	1.87"	5"	4.5"	0.87"	1.50

\*2.5" & 3" without BOD.

NS	A	B	φC	φD	E	Weight (lbs)
4"	0.6"	1.9"	4"	3.9"	0.87"	1.32
6"	0.6"	1.9"	6.3"	6.2"	0.87"	2.64

\*2.5" & 3" without BOD.

## HOW TO ORDER

Example

### NOMINAL SIZE

D	E	F	G	H
2.5"	3"	4"	4.5"	6"

X

### TYPE OF MOUNTING

- 1 WALL/SURFACE/PROJECTION MOUNTING WITH BOTTOM
- 2 BOTTOM
- 3 LOWER BACK
- 4 CENTER BACK
- 5 LOWER BACK WITH FRONT FLANGE
- 6 LOWER BACK WITH MOUNTING BRACKET
- 7 CENTER BACK WITH FRONT FLANGE
- 8 CENTER BACK WITH MOUNTING BRACKET

X

### GAUGE CONNECTION

- 2BM** 1/4" BSP (M)
- 2NM** 1/4" NPT (M)
- 3BM** 3/8" BSP (M)
- 3NM** 3/8" NPT (M)
- 4BM** 1/2" BSP (M)
- 4NM** 1/2" NPT (M)
- 4MM** M20 X 1.5 (M)

\*\*\*Please consult factory for any special connections

XXX

### RANGE

CODE	LPE1	LPE2	LPE3	LPE4	LPE5	LPE6	LPE7
RANGE ( °WC )	-250-0	-160-0	-100-0	-60-0	-30-0	-15-0	-10-0
CODE	LPE8	LPE9	LPE10	LPE11	LPE12	LPE13	LPE14
RANGE ( °WC )	-250-0	-160-0	-100-0	-60-0	-30-0	-15-0	-10-0

LPE9

### OPTIONAL EXTRAS

- |  |   |
|--|---|
| <b>SG</b> OXYGEN SERVICE (FOR DRY VERSION)                             | <b>ZM</b> ELECTRO POLISHED CASE & BEZEL   |
| <b>TF</b> TESTED TO NACE STANDARD                                      | <b>CK</b> EPOXY PAINTED CASE & BEZEL  |
| <b>TB</b> HELIUM LEAK TEST   | <b>OS</b> CASE WITH BAYONET TYPE BEZEL  |
| <b>SD</b> AISI 316 SS MOVEMENT   | <b>PS</b> AISI 316 SS CASE & BEZEL  |
| <b>FN</b> 2" PIPE/YOKE MOUNTING BRACKET & 'U' CLAMP<br>(AISI 316 SS)   | <b>KA</b> ON-OFF TYPE VENT PLUG   |
| <b>RG</b> ANTI PARALLAX MIRROR BAND DIAL                               | <b>SX</b> SS TAG PLATE  |
| <b>RH</b> CUSTOM DESIGNED DIAL   | <b>QB</b> INTEGRAL DAMPENING SCREW (AISI 316 SS)                                  |
| <b>AT</b> ATEX (AS PER 2014/34/EU)                                     | <b>FL</b> INTEGRAL DAMPENING SCREW (MONEL)  |
| <b>SW</b> DIAL TAG MARKING   | <b>FS</b> FILLABLE LIQUID SILICON OIL   |
| <b>RW</b> PLEXI GLASS  | <b>QA</b> DAMPENING LIQUID SILICON OIL FILLED                                     |
| <b>RX</b> SHATTERPROOF /SAFETY GLASS                                   | <b>GH</b> MATERIAL TEST CERTIFICATES  |
| <b>RZ</b> TOUGHENED GLASS  | <b>PW</b> FIVE POINT CALIBRATION CERTIFICATE NATIONAL/<br>INTERNATIONAL STANDARDS |
| <b>SJ</b> MAXIMUM READING POINTER WITH PLEXI<br>GLASS FILLABLE VERSION | <b>SY</b> AISI 316SS TAG PLATE  |

XX

**Ordering Example: P-06-X-X-XXX-(LPE9)-XX**