

SPECIAL FEATURES

- Phenolic Case With Solid Front Design
- Blow out back
- Standard followed ASME-B.40.1
- Helium Leak Tested
- Built in Stabilizer Movement
- Ready For Oxygen Use
- Internal Vacuum /Over Pressure Stops
- IP 66



SPECIFICATIONS

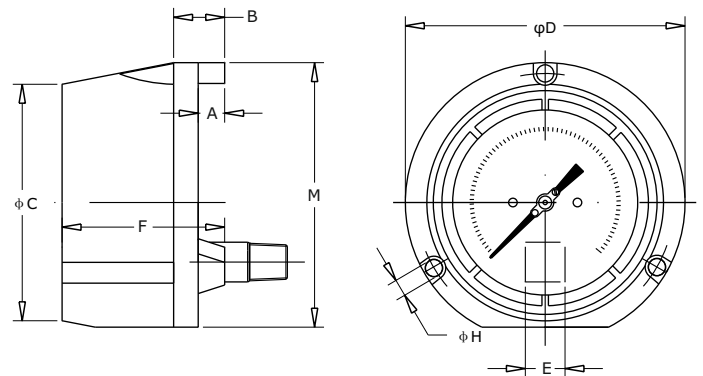
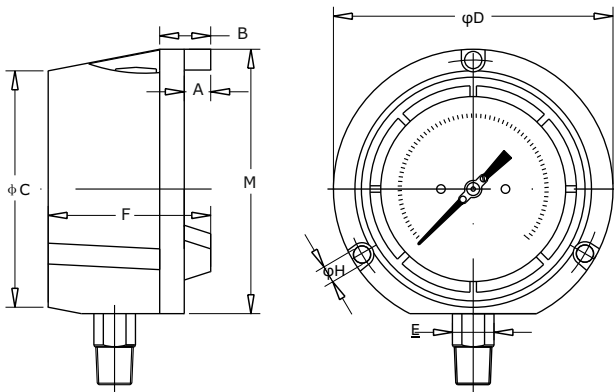
- Ambient Temperature: -4F(-20°C) to+150F(+65°C)
- Process Temperature: Max. 392F(200°C)
- Operating Pressure Range: 75% of scale value
- Over Pressure Limit: 150% of Max. scale value
- Case & Bezel: Phenolic
- Joints: Tig Argon Arc Welding
- Protection: IP 66
- Socket: AISI 316L

- Bourdon: AISI 316L
- Movement: AISI 304
- Dial: Aluminum
- Pointer: Micro Zero Adjustable
- Window: Safety Glass
- Gasket: Viton
- Ranges: Vacuum to 40,000psi

ACCURACY AS PER ASME B.40.1

4.5" : 0.5-0.5-0.5 (Grade 2A)

*Please consult factory for better accuracy availability.



NS	A	B	φC	φD	E	F	φG	φH	M	Weight (lbs)
4.5"	0.6"	1.0"	5.1"	5.8"	0.87"	3.4"	5.4"	0.2"	5.6"	2.38

NS	A	B	φC	φD	E	F	φG	φH	M	Weight (lbs)
4.5"	0.6"	1.0"	5.1"	5.8"	0.87"	3.4"	5.4"	0.2"	5.6"	2.38

HOW TO ORDER

Example

NOMINAL SIZE

G

X

4.5"

TYPE OF MOUNTING

X

- 1 WALL/SURFACE/PROJECTION MOUNTING WITH BOTTOM
- 3 LOWER BACK

GAUGE CONNECTION

XXX

- 2BM** 1/4" BSP(M)
- 2NM** 1/4" NPT(M)
- 2TM** 1/4" BSPT(M)
- 3BM** 3/8" BSP(M)
- 3NM** 3/8" NPT(M)
- 3TM** 3/8" BSPT(M)
- 4BM** 1/2" BSP(M)
- 4NM** 1/2" NPT(M)
- 4TM** 1/2" BSPT(M)
- 4MM** M20 X 1.5(M)
- 9UM** 9/16" UNF(M)
- 2HF** 1/4" HP(F)

***Please consult factory for any special connections

RANGE

E13

CODE	E9	E10	E11	E12	E13	E14	E15	E16	E17	E18	E19	E20
RANGE (psi)	15	30	60	100	160	200	300	400	500	600	800	1000
CODE	E21	E22	E23	E24	E25	E26	E27	E28	E29	E30	E31	E32
RANGE (psi)	1500	2000	3000	4000	5000	6000	7500	10,000	15,000	20,000	30,000	40,000

OPTIONAL EXTRAS

XX

- | | |
|--|--|
| SG OXYGEN SERVICE (FOR DRY VERSION) | SJ MAXIMUM READING POINTER WITH PLEXI GLASS FILLABLE VERSION |
| TI MONEL BOURDON & SOCKET (MONEL VERSION) | SX SS TAG PLATE |
| TF TESTED TO NACE STANDARD | SA INTERNAL OVERPRESSURE STOP |
| TB HELIUM LEAK TEST | SB INTERNAL VACUUM STOP |
| SD AISI 316 SS MOVEMENT | ZL OVER RANGE PROTECTION |
| SF MOVEMENT WITH DAMPENING JELLY | QB INTEGRAL DAMPENING SCREW (AISI 316 SS) |
| SI KNIFE EDGE POINTER | FL INTEGRAL DAMPENING SCREW (MONEL) |
| RG ANTI PARALLAX MIRROR BAND DIAL | FS FILLABLE LIQUID SILICON OIL |
| RH CUSTOM DESIGNED DIAL | FG FILLABLE LIQUID GLYCERINE |
| ZB RECEIVER RANGE | ZZ DIELECTRIC OIL FILLED |
| AT ATEX (AS PER 2014/34/EU) | PX DAMPENING LIQUID FLOUROLUBE FILLED |
| ZC FREON RANGE (WITH TEMPERATURE SCALE) | PY DAMPENING LIQUID GLYCERINE OIL FILLED |
| ZD AMMONIA RANGE (WITH TEMPERATURE SCALE) | PZ DAMPENING LIQUID MINERAL LIQUID FILLED |
| SW DIAL TAG MARKING | QA DAMPENING LIQUID SILICON OIL FILLED |
| RW PLEXI GLASS | GH MATERIAL TEST CERTIFICATES |
| RX SHATTERPROOF /SAFETY GLASS | PW FIVE POINT CALIBRATION CERTIFICATE NATIONAL/ INTERNATIONAL STANDARDS |
| RZ TOUGHENED GLASS | |
| SY AISI 316SS TAG PLATE | |

***Please consult factory for any special connections

Ordering Example: P-05-X-X-XXX-(E13)-XX