

SPECIAL FEATURES

- Stainless Steel Case Welded to socket
- Dry or liquid filled version
- Standard followed ASME-B.40.1/EN837-1
- Helium Leak Tested
- Built in Stabilizer Movement
- Ready For Oxygen Use
- Internal Vacuum /Over Pressure Stops
- IP 66



SPECIFICATIONS

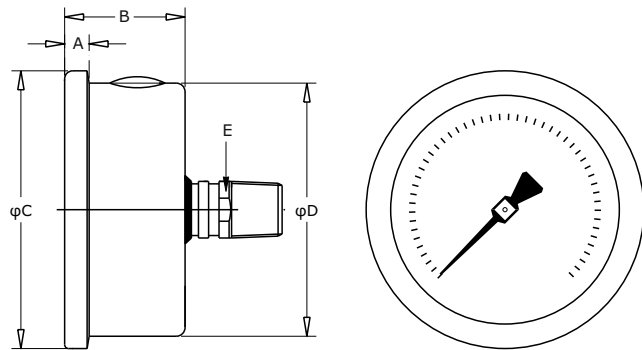
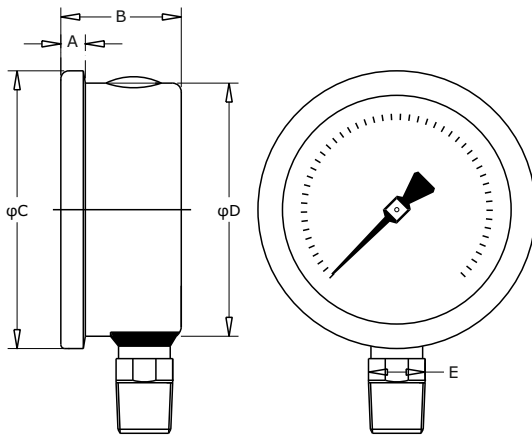
- Ambient Temperature: -4°F(-20°C)to+150°F(+65°C)
- Process Temperature: Max. 392°F(200°C)
- Operating Pressure Range: 75% of scale value
- Over Pressure Limit: 125% of Max. scale Value
- Case & Bezel: SS304 Crimped
- Joints: Tig Argon Arc Welding
- Protection: IP 66
- Gasket: NBR
- Socket: AISI 316L

- Bourdon: AISI 316L
- Movement: AISI 304
- Dial: Aluminum
- Pointer: Fixed
- Window: PC Lens
- Gasket: NBR
- Ranges: Vacuum to 10,000psi

ACCURACY AS PER ASME B.40.1

- 1.5"/2" : 3-2-3 (Grade B)
- 2.5"/3"/4" : 2-1-2 (Grade A)

*Please consult factory for better accuracy availability.



NS	A	B	φC	φD	E	Weight (lbs)
1.5"	0.2"	1.0"	1.8"	1.6"	0.43"	0.18
2"	0.2"	1.2"	2.2"	2.0"	0.55"	0.26
2.5"	0.3"	1.2"	2.7"	2.4"	0.55"	0.40
3"	0.3"	1.4"	3.4"	3.1"	0.67"	0.73
4"	0.3"	1.9"	4.3"	3.9"	0.87"	1.32

NS	A	B	φC	φD	E	Weight (lbs)
1.5"	0.2"	1.0"	1.8"	1.6"	0.43"	0.18
2"	0.2"	1.2"	2.2"	2.0"	0.55"	0.26
2.5"	0.3"	1.2"	2.7"	2.4"	0.55"	0.40
3"	0.3"	1.4"	3.4"	3.1"	0.67"	0.73

HOW TO ORDER

Example

NOMINAL SIZE

B	C	D	E	F
1.5"	2"	2.5"	3"	4"

TYPE OF MOUNTING

- 1 WALL/SURFACE/PROJECTION MOUNTING WITH BOTTOM
- 2 BOTTOM
- 3 LOWER BACK
- 4 CENTER BACK
- 5 LOWER BACK WITH FRONT FLANGE
- 6 LOWER BACK WITH MOUNTING BRACKET
- 7 CENTER BACK WITH FRONT FLANGE
- 8 CENTER BACK WITH MOUNTING BRACKET

X

GAUGE CONNECTION

- 1BM** 1/8" BSP(M)
- 1NM** 1/8" NPT(M)
- 1TM** 1/8" BSPT(M)
- 2BM** 1/4" BSP(M)
- 2NM** 1/4" NPT(M)
- 2TM** 1/4" BSPT(M)
- 3BM** 3/8" BSP(M)
- 3NM** 3/8" NPT(M)
- 3TM** 3/8" BSPT(M)
- 4BM** 1/2" BSP(M)
- 4NM** 1/2" NPT(M)
- 4MM** M20 X 1.5(M)

***Please consult factory for any special connections

XXX

RANGE

CODE	E1	E2	E3	E4	E5	E6	E7	E8	E9	E10	E11	E12	E13	E14
RANGE (psi)	-30"hg	-30"hg-15	-30"hg-30	-30"hg-60	-30"hg-100	-30"hg-160	-30"hg-200	-30"hg-300	15	30	60	100	160	200
CODE	E15	E16	E17	E18	E19	E20	E21	E22	E23	E24	E25	E26	E27	E28
RANGE (psi)	300	400	500	600	800	1000	1500	2000	3000	4000	5000	6000	7500	10,000

E13

OPTIONAL EXTRAS

- | | |
|--|--|
| <ul style="list-style-type: none"> SG OXYGEN SERVICE (FOR DRY VERSION) TI MONEL BOURDON & SOCKET (MONEL VERSION) TF TESTED TO NACE STANDARD TB HELIUM LEAK TEST SD AISI 316 SS MOVEMENT SF MOVEMENT WITH DAMPENING JELLY RI 25mm BOD RH CUSTOM DESIGNED DIAL ZB RECEIVER RANGE AT ATEX (AS PER 2014/34/EU) ZC FREON RANGE (WITH TEMPERATURE SCALE) ZD AMMONIA RANGE (WITH TEMPERATURE SCALE) SW DIAL TAG MARKING RW PLEXI GLASS RX SHATTERPROOF /SAFETY GLASS RZ TOUGHENED GLASS SJ MAXIMUM READING POINTER WITH PLEXI GLASS FILLABLE VERSION ZM ELECTRO POLISHED CASE & BEZEL | <ul style="list-style-type: none"> CK EPOXY PAINTED CASE & BEZEL SQ CASE WITH ROLLING TYPE BEZEL OS CASE WITH BAYONET TYPE BEZEL PS AISI 316 SS CASE & BEZEL KA ON-OFF TYPE VENT PLUG SX SS TAG PLATE SY AISI 316SS TAG PLATE QB INTEGRAL DAMPENING SCREW (AISI 316 SS) FL INTEGRAL DAMPENING SCREW (MONEL) FS FILLABLE LIQUID SILICON OIL FG FILLABLE LIQUID GLYCERINE ZZ DIELECTRIC OIL FILLED PX DAMPENING LIQUID FLOUROLUBE FILLED PY DAMPENING LIQUID GLYCERINE OIL FILLED PZ DAMPENING LIQUID MINERAL LIQUID FILLED QA DAMPENING LIQUID SILICON OIL FILLED GH MATERIAL TEST CERTIFICATES PW FIVE POINT CALIBRATION CERTIFICATE NATIONAL/ INTERNATIONAL STANDARDS |
|--|--|

XX

Ordering Example: P-04-X-X-XXX-(E13)-XX