

SPECIAL FEATURES

- Aluminum solid front case
- Blow out back
- Standard followed ASME-B.40.1
- SS 316L Socket & Bourdon
- Helium Leak Tested
- Built in Stabilizer Movement
- Ready For Oxygen Use
- Internal Vacuum /Over Pressure Stop
- IP 55

SPECIFICATIONS

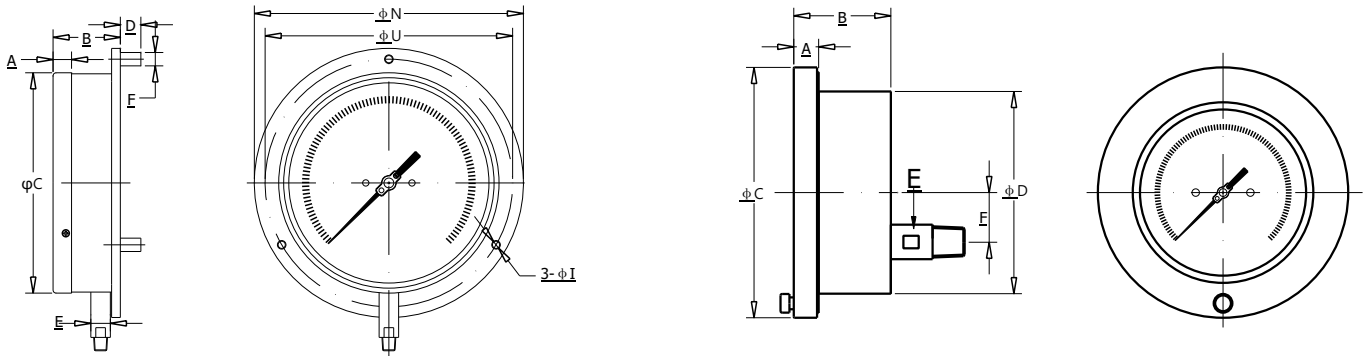
- Ambient Temperature: -4°F(-20°C)To 150°F (+65°C)
- Process Temperature: Max. 392°F(200°C)
- Operating Pressure Range: 75% of scale value
- Over Pressure Limit: 125% of Max. scale value
- Case: Aluminum
- Joints: Tig Argon Arc Welding
- Socket: AISI 316L
- Bourdon: AISI 316L
- Movement: AISI 304
- Dial: Aluminum
- Pointer: Micro Zero Adjustable
- Window: PC lens
- Ranges: Vacuum to 10,000psi



ACCURACY AS PER ASME B.40.:

- 4.5"/6"/8.5" : 0.5 (Grade 2A)
- 8.5" : 1-1-1 (Grade 1A)

*Please consult factory for better accuracy availability.



NS	A	B	φC	D	F	φN	φU	φI	E	Weight (lbs)
8.5"	0.85"	2.4"	8.5"	0.8"	0.5"	10.3"	9.4"	0.25"	0.75"	5.07

NS	A	B	φC	φD	E	F	Weight (lbs)
4.5"	0.6"	2.4"	6.1"	5.0"	0.8"	1.2"	1.43
6"	0.7"	2.7"	7.6"	5.0"	0.8"	1.2"	2.25

HOW TO ORDER

Example

NOMINAL SIZE

G	H	I
4.5"	6"	8.5"

X

TYPE OF MOUNTING

- 2 BOTTOM
- 5 LOWER BACK WITH FRONT FLANGE

X

GAUGE CONNECTION

- 2BM** 1/4"BSP(M)
- 2NM** 1/4"NPT(M)
- 2TM** 1/4"BSPT(M)
- 3BM** 3/8"BSP(M)
- 3NM** 3/8"NPT(M)
- 3TM** 3/8"BSPT(M)
- 4BM** 1/2"BSP(M)
- 4NM** 1/2"NPT(M)
- 4TM** 1/2"BSPT(M)
- 4MM** M20 X 1.5(M)

***Please consult factory for any special connections

XXX

RANGE

CODE	E1	E2	E3	E4	E5	E6	E7	E8	E9	E10	E11	E12	E13	E14
RANGE (psi)	-30"hg	-30"hg-15	-30"hg-30	-30"hg-60	-30"hg-100	-30"hg-160	-30"hg-200	-30"hg-300	15	30	60	100	160	200
CODE	E15	E16	E17	E18	E19	E20	E21	E22	E23	E24	E25	E26	E27	E28
RANGE (psi)	300	400	500	600	800	1000	1500	2000	3000	4000	5000	6000	7500	10,000

E13

OPTIONAL EXTRAS

- | | |
|--|---|
| SG OXYGEN SERVICE (FOR DRY VERSION) | RW PLEXI GLASS |
| OA ACCURACY + 0.5% OF F.S.
(Dry version & Maximum Reading Pointer) | RZ TOUGHENED GLASS |
| TI MONEL BOURDON & SOCKET (MONEL VERSION) | SJ MAXIMUM READING POINTER WITH PLEXI GLASS FOR DRY VERSION |
| TF TESTED TO NACE STANDARD | CK EPOXY PAINTED CASE & BEZEL |
| TB HELIUM LEAK TEST | SX SS TAG PLATE |
| SD AISI 316 SS MOVEMENT | SA INTERNAL OVERPRESSURE STOP |
| SF MOVEMENT WITH DAMPENING JELLY | SB INTERNAL VACUUM STOP |
| SI KNIFE EDGE POINTER | ZL OVER RANGE PROTECTION |
| RG ANTI PARALLAX MIRROR BAND DIAL | QB INTEGRAL DAMPENING SCREW (AISI 316 SS) |
| RH CUSTOM DESIGNED DIAL | FL INTEGRAL DAMPENING SCREW (MONEL) |
| ZB RECEIVER RANGE | GH MATERIAL TEST CERTIFICATES |
| ZC FREON RANGE (WITH TEMPERATURE SCALE) | PW FIVE POINT CALIBRATION CERTIFICATE NATIONAL/INTERNATIONAL STANDARDS |
| ZD AMMONIA RANGE (WITH TEMPERATURE SCALE) | |
| SW DIAL TAG MARKING | |
| SY AISI 316SS TAG PLATE | |

XX

Ordering Example: P-03-X-X-XXX-(E13)-XX