

## SPECIAL FEATURES

Economical Version  
 General Purpose Applications  
 Standard Followed: ASME-B.40.1/EN837-1

## SPECIFICATIONS

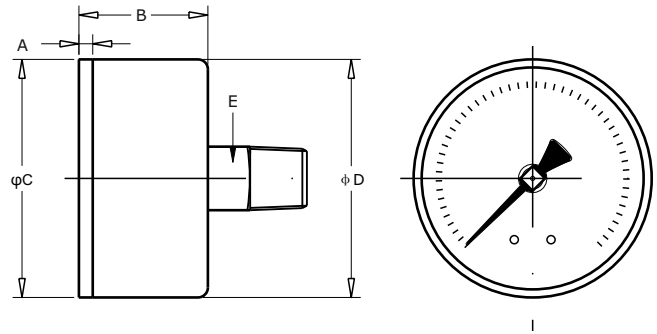
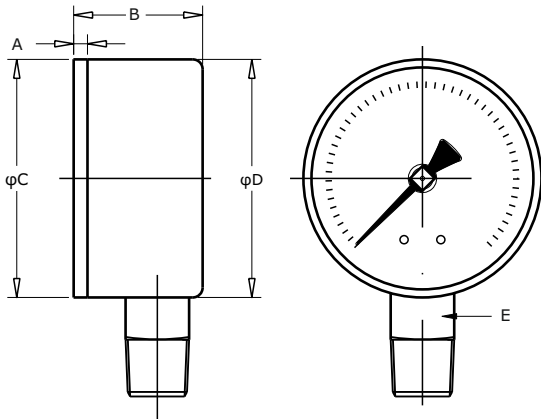
Ambient Temperature: -4°F(-20°C) to +150°F(+65°C)  
 Process Temperature: Max. 250°F(120°C)  
 Operating Pressure Range: 75% of scale Value  
 Over Pressure Limit: 120% of Max. scale Value  
 Case: ABS Plastic Case  
 Joints: Alloy Brazing/Soldering  
 Socket: Copper Alloy  
 Bourdon: Copper Alloy  
 Movement: Copper Alloy  
 Dial: Aluminum  
 Pointer: Fixed  
 Window: Snap-in Plastic Lens  
 Ranges: Vacuum to 1500psi



## ACCURACY AS PER ASME B.40.1

1.5"/2" : 3-2-3 (Grade B)  
 2.5"/3"/4" : 2-1-2 (Grade A)

\*Please consult factory for better accuracy availability.



NS	A	B	φC	φD	E	Weight (lbs)
1.5"	0.1"	1.0"	1.6"	1.6"	0.43"	0.18
2"	0.1"	1.1"	2.1"	2.1"	0.55"	0.22
2.5"	0.1"	1.1"	2.4"	2.4"	0.55"	0.29
4"	0.14"	1.2"	3.9"	3.9"	0.55"	0.82

NS	A	B	φC	φD	E	Weight (lbs)
1.5"	0.1"	1.0"	1.6"	1.6"	0.43"	0.18
2"	0.1"	1.1"	2.1"	2.1"	0.55"	0.22
2.5"	0.1"	1.1"	2.4"	2.4"	0.55"	0.29
3"	0.14"	1.2"	3.9"	3.9"	0.55"	0.82

## HOW TO ORDER

Example

### NOMINAL SIZE

B	C	D	E	F
1.5"	2"	2.5"	3"	4"

X

### TYPE OF MOUNTING

- 2 BOTTOM
- 4 CENTER BACK

X

### GAUGE CONNECTION

- 1BM** 1/8" BSP(M)
- 1NM** 1/8" NPT(M)
- 1TM** 1/8" BSPT(M)
- 2BM** 1/4" BSP(M)
- 2NM** 1/4" NPT(M)
- 2TM** 1/4" BSPT(M)
- 3BM** 3/8" BSP(M)
- 3NM** 3/8" NPT(M)
- 3TM** 3/8" BSPT(M)
- 4BM** 1/2" BSP(M)
- 4NM** 1/2" NPT(M)
- 4TM** 1/2" BSPT(M)
- 4MM** M20 X 1.5(M)

XXX

\*\*\*Please consult factory for any special connections

### RANGE

CODE	E1	E2	E3	E4	E5	E6	E7	E8	E9	E10	E11
RANGE (psi)	-30"hg	-30"hg-15	-30"hg-30	-30"hg-60	-30"hg-100	-30"hg-160	-30"hg-200	-30"hg-300	15	30	60
CODE	E12	E13	E14	E15	E16	E17	E18	E19	E20	E21	
RANGE (psi)	100	160	200	300	400	500	600	800	1000	1500	

E13

### OPTIONAL EXTRAS

- SG** OXYGEN SERVICE (FOR DRY VERSION)
- SF** MOVEMENT WITH DAMPENING JELLY
- RH** CUSTOM DESIGNED DIAL
- ZB** RECEIVER RANGE
- ZC** FREON RANGE (WITH TEMPERATURE SCALE)
- ZD** AMMONIA RANGE (WITH TEMPERATURE SCALE)
- SW** DIAL TAG MARKING
- SY** AISI 316SS TAG PLATE
- RW** PLEXI GLASS
- RZ** TOUGHENED GLASS
- SJ** MAXIMUM READING POINTER WITH PLEXI GLASS (FOR DRY VERSION)
- FK** INTEGRAL DAMPENING SCREW (BRASS)
- GH** MATERIAL TEST CERTIFICATES
- PW** FIVE POINT CALIBRATION CERTIFICATE NATIONAL/ INTERNATIONAL STANDARDS

XX

**Ordering Example: P-02-X-X-XXX-(E13)-XX**