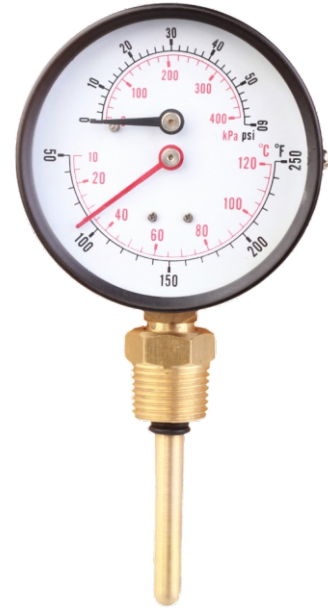


SPECIAL FEATURES

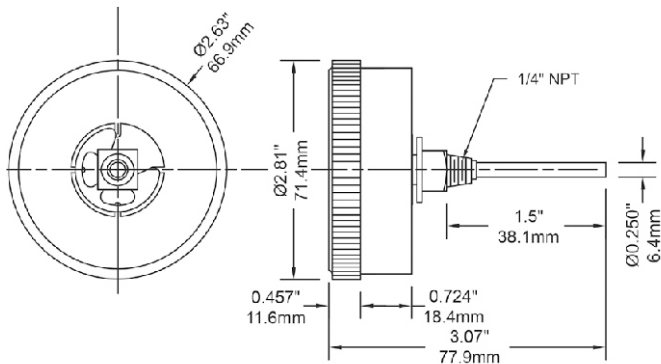
Single Port Installation for Pressure and Temperature Measurement
 Cost Effective
 Excellent For HVAC Industry
 Rustproof Design

SPECIFICATIONS

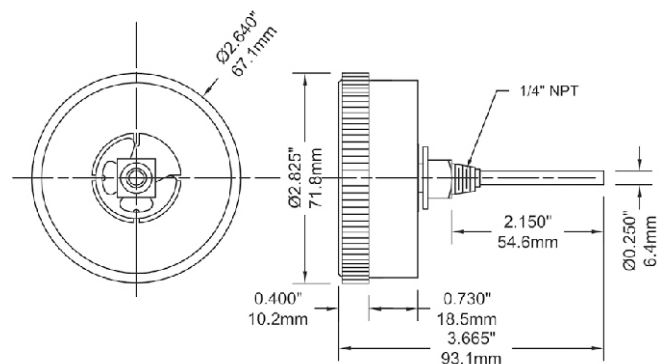
Accuracy : 2 %
 Case & Bezel: Black Steel/ ABS Plastic
 Pressure Element : Bourdon(Copper Alloy)
 Temperature Element: Bi-Metal Strip Coiled
 Stem Diameter: 6mm (Standard)
 Stem Material: AISI SS316
 Dial: Aluminium
 Pointer: Aluminium
 Movement: Copper Alloy
 Window: Sheet Glass



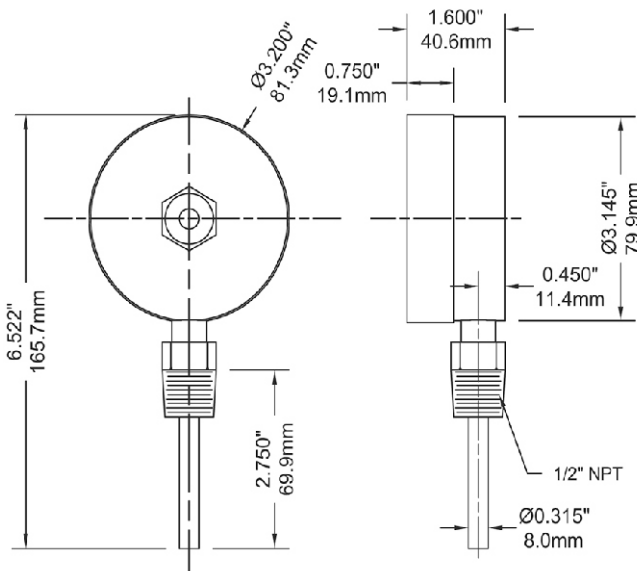
2.5" BACK CONNECTION, 1" STEM



2.5" BACK CONNECTION



3" BOTTOM CONNECTION



3" BACK CONNECTION

