

## SPECIAL FEATURES

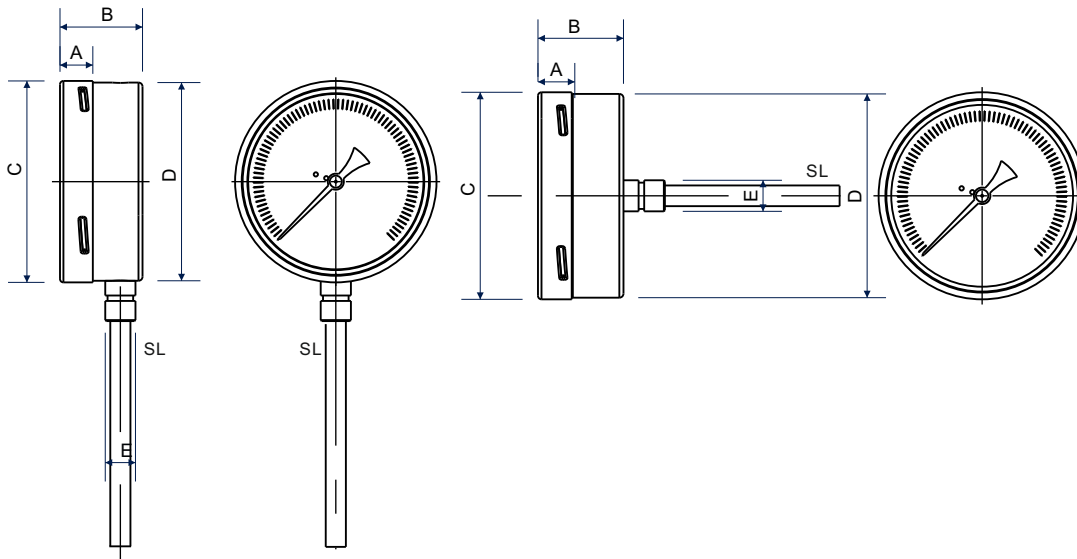
Inert Gas Filled Expansion System.  
 Stainless Steel Case & Stem  
 With or Without Thermowell  
 Standard Followed EN 13190.

## SPECIFICATIONS

Accuracy : Class 1 as per EN 13190  
 Ambient Temperature: -13°F (-25°C) to 149°F (65°C)  
 Operating Pressure : 25bar (Without Thermowell)  
 Stem Diameter: 10mm  
 Case & Bezel: AISI 304 SS (Bayonet Type)  
 Stem Connection: AISI 316 SS  
 Joint: Tig Argon Arc Welding  
 Protection: IP 65  
 Dial: Aluminium  
 Pointer: Aluminium  
 Window: Safety Glass  
 Gasket: NBR

## APPLICATIONS

All Stainless Steel Inert Gas Filled Thermometers  
 Areas suitable for Corrosive Media / Environments  
 In Process Industry Like Chemical , Food , Pharmaceutical,  
 Pulp & Paper Refinery, Cement & Many More.



### RANGE TABLE

Nominal Range, Measuring Range & Limits of Error as per En13190		
Nominal Range(°C)	Measuring Range(°C)	Limits of Error(+°C)
-20 to +40	-10 to +30	1
-20 to +60	-10 to +50	1
-20 to +120	-10 to +110	2
-30 to +30	-20 to +20	1
-30 to +50	-20 to +40	1
-30 to +70	-20 to +60	1
-40 to +40	-30 to +30	1
-40 to +60	-30 to +50	1
-100 to +60	-80 to +40	2
0 to 60	10 to 50	1
0 to 80	10 to 70	1
0 to 100	10 to 90	1
0 to 120	10 to 110	2
0 to 160	20 to 140	2
0 to 200	20 to 180	2
0 to 250	30 to 220	2.5
0 to 300	30 to 270	5
0 to 400	50 to 350	5
0 to 500	50 to 450	5
0 to 600	100 to 500	10

NS	A	B	ΦC	ΦD	ΦE
63	12	39	63.5	62	15
100	16.3	41	100	98.4	15

NS	A	B	ΦC	ΦD	ΦE
63	12	39	63.5	62	15
100	16.3	41	100	98.4	15

## HOW TO ORDER

Example

T-01

NOMINAL SIZE	D	F	G	H
	2.5 "(63mm)	4"(100mm)	5"(125mm)	6"(160mm)

X

## TYPE OF MOUNTING

1 WALL /SURFACE /PROJECTION MOUNTING WITH BOTTOM ENTRY	7 CENTER BACK ENTRY WITH FRONT FLANGE
2 DIRECT BOTTOM ENTRY	9 EVERY ANGLE CENTER BACK ENTRY
4 DIRECT CENTER BACK ENTRY	8 CENTER BACK ENTRY WITH MOUNTING BRACKET

X

## PROCESS CONNECTION

<b>4BM</b> 1/2"BSP(M) (Standard)	<b>6BM</b> 3/4"BSP(M)
<b>4NM</b> 1/2"NPT(M)	<b>4MM</b> M20X1.5(M)
<b>4TM</b> 1/2"BSPT(M)	

XXX

## PROCESS CONNECTION TYPE

<b>ZI</b> Adjustable	<b>ZJ</b> Fixed	<b>KJ</b> Revolving/Swivel
----------------------	-----------------	----------------------------

XX

## STEM DIAMETER

<b>1U</b> 6mm	<b>2M</b> 1/4"(6.35mm)	<b>2C</b> 8mm	<b>2I</b> 9.5mm	<b>2J</b> 10mm	<b>2K</b> 12mm
---------------	------------------------	---------------	-----------------	----------------	----------------

XX

## STEM LENGTH (BELOW THREAD)

Minimum Stem Length : 120 mm
Maximum Stem Length : 600 mm
Stem Diameter : 10 mm

120mm

## RANGE

Refer Range Table

0/100°C

## TYPE

<b>A1</b> With Rigid Stem	<b>A2</b> With Capillary
---------------------------	--------------------------

XX

## CAPILLARY LENGTH (Max up to 25Mtrs.)

In Meters (Eg.1.5=1.5 Meters , 2.0=2 Meters)

3Mtrs

## CAPILLARY COVERED WITH ARMOUR

<b>PF</b> AISI 304 SS	<b>PH</b> AISI 316 SS
-----------------------	-----------------------

XX

## OPTIONAL EXTRAS

<b>PS</b> AISI 316SS CASE & BEZEL**	<b>RH</b> CUSTOM DESIGN DIAL
<b>PW</b> FIVE POINT CALIBRATION CERTIFICATE	<b>RX</b> SHATTERPROOF /SAFETY GLASS
<b>QA</b> DAMPENING LIQUID SILICON OIL (-45/200 C)	<b>RZ</b> TOUGHENED GLASS
<b>PY</b> DAMPENING LIQUID GLYCERINE (UP TO 100 C) EXCEPT ELECTRICAL CONTACT	<b>SW</b> DIAL TAG MARKING
<b>SJ</b> MAXIMUM READING POINTER WITH PLEXI GLASS ( FOR DRY VERSION OF 100mm to 150mm)	<b>SX</b> SS TAG PLATE
<b>GH</b> MATERIAL TEST CERTIFICATE	*Gasket & Filling plug of NBR. Consult factory for Viton.
	**Available for NS 100mm to 150mm.Consult with Factory for Minimum order quantity and delivery.
	*Material Certificate according to EN 10204 3.1 B

XX

## ELECTRIC CONTACTS ( FOR NS 100 & 150 mm Only) (CE APPROVED)

( WITH IP PROTECTION UP TO Ip55 & WINDOW POLYCARBONATE DOME TYPE)

XX

**A) SINGLE INSULATED MAGNETIC SNAP ACTION TYPE\* (230 V AC, 1 Amp.) (48 V DC, 0.5 Amp.)**

**B) INDUCTIVE TYPE (220 V AC, 0.4 Amp.)**

<b>RJ</b> SINGLE; NORMALLY CLOSED (1 NC)	<b>YW</b> SINGLE; NORMALLY OPEN ( 1 NO)
<b>RK</b> DOUBLE; NORMALLY CLOSED+ NORMALLY OPEN (1NC + 1NO)	<b>YV</b> SINGLE; NORMALLY CLOSED ( 1 NC)
<b>RL</b> SINGLE; NORMALLY OPEN (1 NO)	<b>YX</b> DOUBLE; NORMALLY CLOSED + NORMALLY OPEN (1NC +1 NO)
<b>RM</b> DOUBLE; NORMALLY OPEN + NORMALLY CLOSED (1 NO + 1 NC)	<b>YY</b> DOUBLE; NORMALLY OPEN (BOTH NO)
<b>RN</b> DOUBLE; NORMALLY CLOSED (BOTH NC)	<b>YZ</b> DOUBLE; NORMALLY CLOSED (BOTH NC)
<b>RO</b> DOUBLE; NORMALLY OPEN ( BOTH NO)	<b>ZA</b> DOUBLE; NORMALLY OPEN + NORMALLY CLOSED (1 NO + 1 NC)
<b>RU</b> BOOSTER WITH RELAY FOR CURRENT UPTO 5 Amp.	

\*For Double Insulated Electrical Contacts , Consult Factory for Price & Delivery .

**Ordering Example: T-01-X-X-XXX-XX-XX-120mm-0/100°C-XX-3Mtr-XX-XX-XX**