

SPECIAL FEATURES

All Stainless Steel Construction
 Continuous Duty
 Easy to Clean
 Available with Anti Vibration Spring

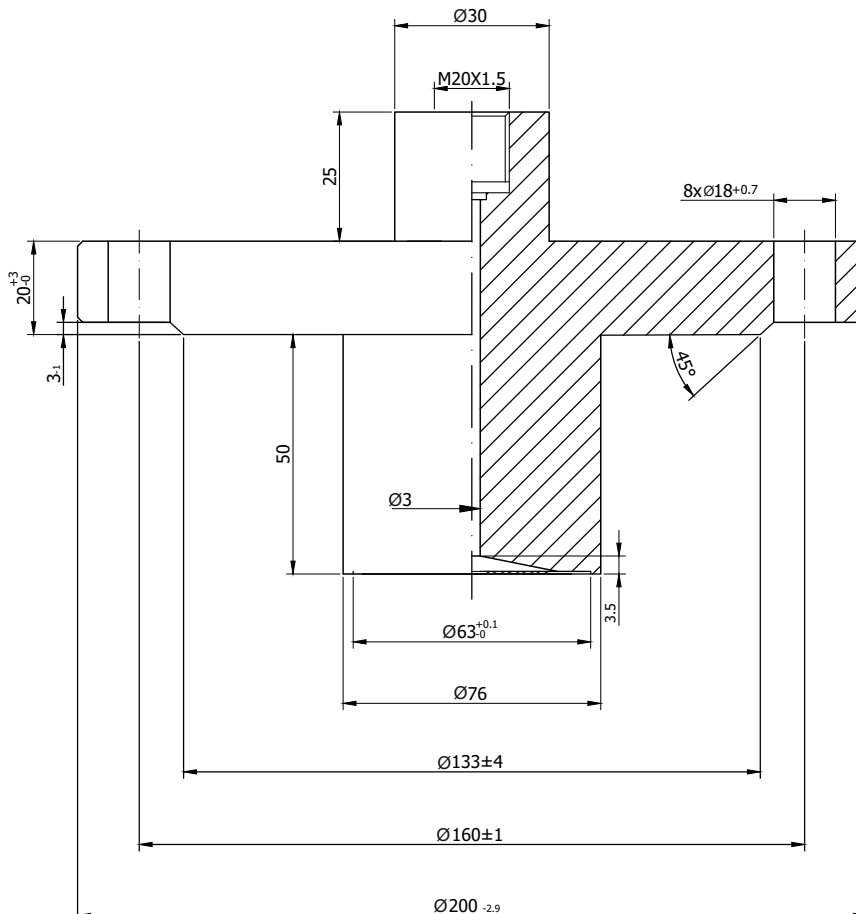
SPECIFICATIONS

Range: 1 kg/cm² to 40 kg/cm²*
 Process Temperature: -40°C to 200°C or as per fill fluid
 Instrument Connection: 1/2"NPT(F)
 Process Connection: As per diagram below
 Mounting: Direct (Without Spring & Capillary)
 Diaphragm: AISI 316L SS
 Body & Floating Ring: AISI 316 SS
 Fill Fluid: Silicon Oil -DC 200



APPLICATIONS

Diaphragm seals are provided in the Instrument like Pressure Gauges ,Switches, Transmitters in order to isolate the sensing element from the main service due to It's Corrosive ,Viscous and Sedimented nature and to avoid clogging and solidification. These kind of seals are widely used in the Viscous & Corrosive services where flushing is required periodically & frequently.



HOW TO ORDER

BASIC MODEL

Example

D-12

INSTRUMENT CONNECTION

VO 1/4"NPT(F) **VP** 3/8"BSP(F) **VL** 1/2"BSP(F) **VM** 1/2"NPT(F)(Standard)

XX

ANTI VIBRATION SPRING

EA2 BOTTOM MOUNTING **EA3** 90° ANGULAR MOUNTING (BACK MOUNTING)

XXX

BODY & FLOATING RING

CL AISI 316 SS (Standard) **CM** AISI 316L SS

XX

DIAPHRAGM

UJ AISI 316L SS (Standard)

XX

PROTECTION ON WETTED PARTS

VZ PTFE COATING ON DIAPHRAGM (Max.Up to 315°C)

XX

FILLING FLUID

US FLUROLUBE 4.2 [-45 to 175°C] **UX** SILICON DC 200[-40 to 205°C]^(Standard) **VB** SYLTHERM XLT [-100 to 260°C]
UT FLUROLUBE 6.3 [-40 to 235°C] **UY** SILICON DC 704 [10 to 337°C] **VC** HALOCARBON OIL*
UU FLUROLUBE FS-5 [-28 to 148°C] **UZ** SILICON DC 710 [7 to 371°C]
UV FOOD GRADE OIL [-20 to 140°C] **VA** SYLTHERM 800 [-40 to 315°C]

XX

REMOTE MOUNTING (With Capillary of Max. Up to 2 Mtrs.)

SPECIFY IN METERS (e.g 1.5=1.5 METERS 2.0=2 METERS)

1 Mtr.

CAPILLARY

PE AISI 304 SS **PG** AISI 316 SS

XX

CAPILLARY COVERED WITH ARMOUR (Applicable with PE or PG if selected)

PF AISI 304 SS **PH** AISI 316 SS **PI** PVC

XX

OTHER OPTIONS

TB HELIUM LEAK TEST **TC** DRY SEAL ONLY WITHOUT INSTRUMENT **GH** MATERIAL TEST CERTIFICATE*
KF SPECIAL CONNECTION (Please provide Drawings)

XX

Ordering Example: D-12-XX-XXX-XX-XX-XX-XX-1 Mtr-XX-XX-XX