

## SPECIAL FEATURES

Flush Diaphragm  
Easy Flushing (Through Flushing Ring)  
Most Suitable for Slurry , Corrosive & High  
Viscous Service Flushing Ring, Flange &  
Diaphragm are available in various  
Type of SS & Exotic Materials.

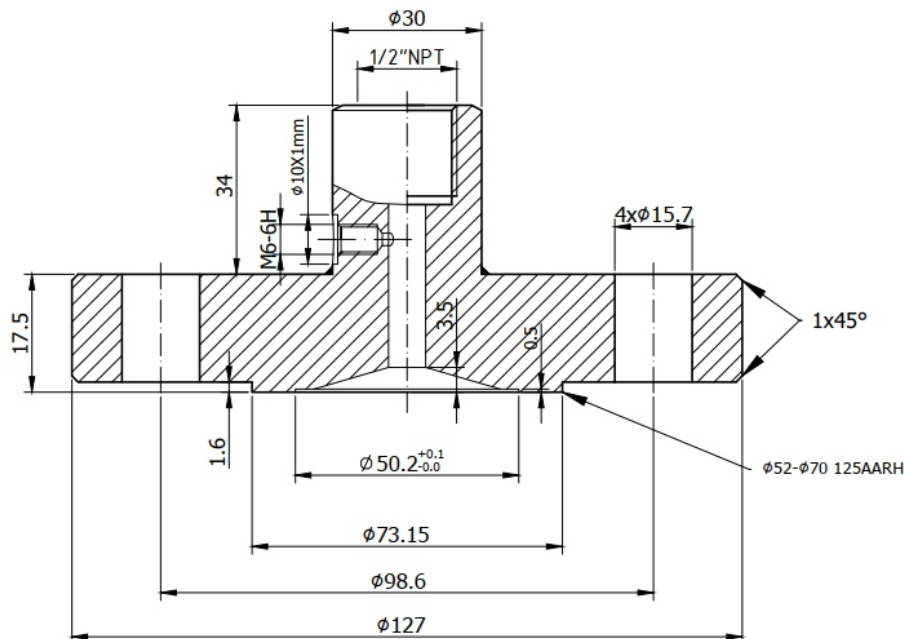
## SPECIFICATIONS

Range: -1 kg/cm<sup>2</sup> to 0 & 0 to 250 kg/cm<sup>2</sup>\*  
Process Temperature: -40°C to 200°C or as per fill fluid  
Instrument Connection: 1/2"NPT(F)  
Process Connection: Flange (as per DIN/BS/ANSI/JIS) 125-250 A/  
Diaphragm: AISI 316L SS  
Flange: AISI 316 SS  
Fill Fluid: Silicon Oil -DC 200  
Sealing Gasket: PTFE



## APPLICATIONS

Diaphragm seals are provided in the Instrument like  
Pressure Gauges ,Switches, Transmitters in order to  
isolate the sensing element from the main service  
due to It's Corrosive ,Viscous and Sedimented nature  
and to avoid clogging and solidification.  
These kind of seals are widely used in the Viscous  
& Corrosive services where flushing is required  
periodically & frequently.



## HOW TO ORDER

### BASIC MODEL

### RANGE

**S21** -1 to 0 kg/cm<sup>2</sup> & 0 to 100 kg/cm<sup>2</sup>      **S22** 100 kg/cm<sup>2</sup> to 250 kg/cm<sup>2</sup>

### INSTRUMENT CONNECTION

**VP** 3/8"BSP(F)    **VL** 1/2"BSP(F)    **VM** 1/2"NPT(F)(Standard)

### TOP CHAMBER

**XW** AISI 304 SS (Standard)    **YA** AISI SS316L SS    **XY** AISI 316 SS    **YC** CARBON STEEL

### DIAPHRAGM

**UJ** AISI 316L SS (Standard)    **UL** HASTELLOY 'C276'    **UR** TITANIUM    **UW** INCONEL 600  
**UM** MONEL    **UP** SILVER\*    **UQ** TANTALUM    **UN** SUPER DUPLEX

### SEALING GASKET

**VI** PTFE (Standard)    **YR** METAL    **YQ** Inconel Silver Plate for Max 400°C (High Temp.Oil)

### BOTTOM CHAMBER ( I SECTION)

**TK** AISI 304 SS    **TT** HASTELLOY 'C'  
**TM** AISI 316 SS(Standard)    **TN** CARBON STEEL  
**TL** AISI 316L SS    **TZ** PVC\*  
**UH** TITANIUM    **UA** PVDF\*  
**TX** MONEL    **TY** POLYPROPELENE\*

MOC OF BOTTOM CHAMBER	PRESSURE V/S TEMPERATURE					
	20°C	40°C	60°C	80°C	100°C	120°C
PVDF	10 kg/cm <sup>2</sup>	10 kg/cm <sup>2</sup>	10 kg/cm <sup>2</sup>	7 kg/cm <sup>2</sup>	4 kg/cm <sup>2</sup>	2 kg/cm <sup>2</sup>
PP	10 kg/cm <sup>2</sup>	10 kg/cm <sup>2</sup>	6 kg/cm <sup>2</sup>	4 kg/cm <sup>2</sup>	1 kg/cm <sup>2</sup>	NA
PVC	10 kg/cm <sup>2</sup>	10 kg/cm <sup>2</sup>	4 kg/cm <sup>2</sup>	1 kg/cm <sup>2</sup>	NA	NA

### PROCESS CONNECTION

As per DIN / BS / ANSI / JIS (Select Code from Flange Table.Refer Page No.25 & 26)

### NUTS-BOLTS

**XQ** AISI 304SS    **XR** AISI 316SS

### PROTECTION ON WETTED PARTS

**VS** PTFE LINING ON BOTTOM CHAMBER('I'SECTION) -2mm THICK (Max.Up to 150°C)  
**VV** PTFE PROTECTION FOR DIAPHRAGM (Max.Up to 150°C max up to 100 bar)  
**VZ** PTFE COATING ON DIAPHRAGM (Max.Up to 315°C)

### FILLING LIQUID

**US** FLUROLUBE 4.2 [-45 to 175°C]    **UX** SILICON DC 200[-40 to 205°C](Standard)    **VB** SYL THERM XLT [-100 to 260°C]  
**UT** FLUROLUBE 6.3 [-40 to 235°C]    **UY** SILICON DC 704 [10 to 337°C]    **VC** HALOCARBON OIL\*  
**UU** FLUROLUBE FS-5 [-28 to 148°C]    **UZ** SILICON DC 710 [7 to 371°C]    **VD** LRS9 [-40 to 400°C]  
**UV** FOOD GRADE OIL [-20 to 140°C]    **VA** SYL THERM 800 [-40 to 315°C]

### REMOTE MOUNTING (With Capillary of Max. Up to 15 Mtrs.)

SPECIFY IN METERS (e.g 1.5=1.5 METERS 2.0=2 METERS)

### CAPILLARY

**PE** AISI 304 SS    **PG** AISI 316 SS

### CAPILLARY COVERED WITH ARMOUR (Applicable with PE or PG if selected)

**PF** AISI 304 SS    **PH** AISI 316 SS    **PI** PVC

### OTHER OPTIONS

**TB** HELIUM LEAK TEST    **TC** DRY SEAL ONLY WITHOUT INSTRUMENT    **GH** MATERIAL TEST CERTIFICATE\*

**Ordering Example: D-09-XXX-XX-XX-XX-XX-XX-XX-XX-XX-3 Mtr-XX-XX-XX**

D-09

XXX

XX

XX

XX

XX

XX

XX

XX

XX

XX

3Mtr.

XX

XX

XX