

SPECIAL FEATURES

Quick Connect and Disconnect
For Hygiene Applications
Easy to Clean

SPECIFICATIONS

Range: -1 to 0 kg/cm² & 0 to 40kg/cm² (Standard)
 Process Temperature: -20°C to 140°C or as per fill fluid
 Instrument Connection: S16= 1/2"BSP(F)
 S17= 1/4"BSP(F)
 Process Connection: 1 1/2" Sanitary Seal (Without Clamp & Gasket)
 Mounting: Direct (Without Capillary)
 Diaphragm: AISI 316L SS
 Body: AISI 316 SS
 Fill Fluid: Food Grade Oil

APPLICATIONS

Diaphragm seals are provided in the Instrument like Pressure Gauges ,Switches, Transmitters in order to isolate the sensing element from the main service due to It's Corrosive ,Viscous and Sedimented nature and to avoid clogging and solidification. These seals are used in applications where purity in process is essential -Typically in Food,Dairy Beverages and Pharmaceutical Industries.



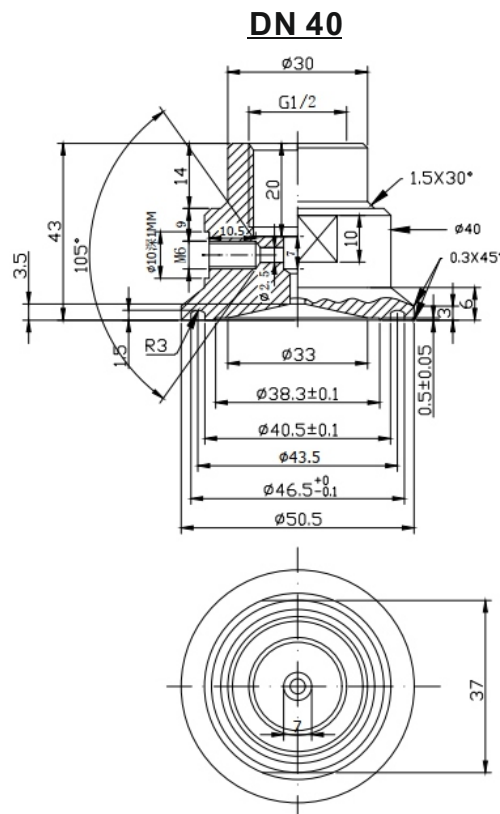
SANITARY SEAL



TRICLOVER CLAMP



BOTTOM MATING PART



| | | Example |
|---|---|---------|
| HOW TO ORDER | | D-07 |
| BASIC MODEL | | |
| RANGE | | |
| S16 | -1 to 0 & 0 to 40kg/cm2 (Standard) | XXX |
| SANITARY SEAL | | |
| YN | 1 1/2" Sanitary Seal in AISI 316 SS (Standard) | XX |
| YO | 2" Sanitary Seal in AISI 316 SS | |
| YP | 2 1/2" Sanitary Seal in AISI 316 SS | |
| INSTRUMENT CONNECTION | | |
| VO | 1/4"NPT(F) | XX |
| VM | 1/2"NPT(F) | |
| VN | 1/4"BSP(F)(Standard)* | XX |
| VL | 1/2"BSP(F)(Standard) | |
| VP | 3/8"BSP(F) | |
| BODY | | |
| CL | AISI 316 SS (Standard) | XX |
| CM | AISI 316L SS | |
| BOTTOM MATING PARTS | | |
| KB | 1 1/2" Sanitary Seal in AISI 316 SS | XX |
| KC | 2" Sanitary Seal in AISI 316 SS | |
| KD | 2 1/2" Sanitary Seal in AISI 316 SS | |
| END CONNECTION OF BOTTOM MATING PART | | |
| 3BM | 3/8"BSP(M) | XX |
| 4BM | 1/2"BSP(M) | |
| 4NM | 1/2"NPT(M)* | |
| 4ZB | 1/2"PIPE(M)(PlainEnd) | |
| DIAPHRAGM | | |
| UJ | AISI 316L (Standard) | XX |
| FILLING FLUID | | |
| UV | FOOD GRADE OIL [-20 to 140°C/ -4 to 284°F] (Standard) | XX |
| CLAMP | | |
| ZO | 1 1/2" CLAMP AISI 304 SS | XX |
| ZP | 2" CLAMP AISI 304 SS | |
| ZQ | 2 1/2" CLAMP AISI 304 SS | |
| GASKET (SEALING RING) | | |
| FX | 1 1/2" SILICON GASKET | XX |
| FY | 2" SILICON GASKET | |
| FZ | 2 1/2" SILICON GASKET | |
| OTHER OPTIONS | | |
| TB | HELIUM LEAK TEST | XX |
| TC | DRY SEAL ONLY WITHOUT INSTRUMENT | |
| GH | MATERIAL TEST CERTIFICATE* | |

Ordering Example: D-07-XXX-XX-XX-XX-XX-XX-XX-XX-XX-XX