

SPECIAL FEATURES

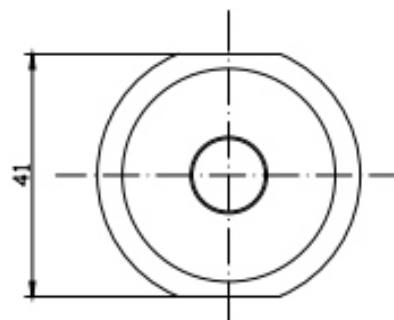
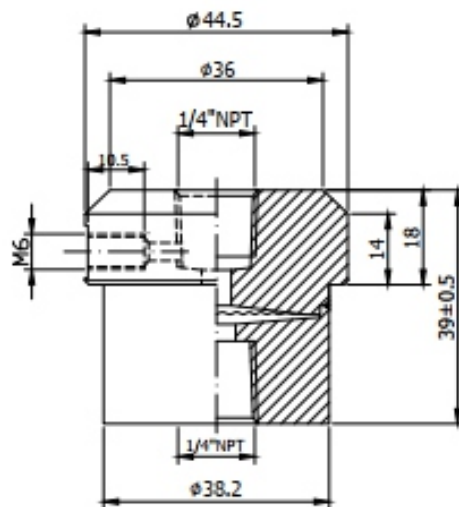
Compact Design
 Low Cost Version
 The Diaphragm is welded to the Body
 To ensure separation of the filling fluid
 from the process medium.

SPECIFICATIONS

Process Temperature: -40°C to 200°C or as per fill fluid
 Instrument Connection: 1/4"NPT (F)
 Process Connection: 1/4"NPT (M)
 Fill Liquid: Silicon Oil-DC 200
 Diaphragm: AISI 316L SS
 Body: AISI316 SS

APPLICATIONS

Diaphragm seals are designed to Isolate the sensing element of Pressure Gauges and Pressure Switches from process fluids that they may be Corrosive, Viscous, Sedimentous and /or with high Temperature.



Example

HOW TO ORDER

BASIC MODEL

D-03

INSTRUMENT CONNECTION

VN 1/4"BSP(F) **VO** 1/4"NPT(F)

XX

BODY

TK AISI 304 SS **TT** HASTELLOTY 'C'
TM AISI 316 SS(Standard) **UD** TANTALUM
CM AISI 316L SS **TX** MONEL
UN SUPER DUPLEX **TD** DUPLEX
TE UNS S31254 **UW** INCONEL 625
TH 254 SMO

MOC OF BOTTOM CHAMBER	PRESSURE V/S TEMPERATURE					
	20°C	40°C	60°C	80°C	100°C	120°C
PVDF	10 kg/cm ²	10 kg/cm ²	10 kg/cm ²	7 kg/cm ²	4 kg/cm ²	2 kg/cm ²
PP	10 kg/cm ²	10 kg/cm ²	6 kg/cm ²	4 kg/cm ²	1 kg/cm ²	NA
PVC	10 kg/cm ²	10 kg/cm ²	4 kg/cm ²	1 kg/cm ²	NA	NA

XX

DIAPHRAGM

UJ AISI 316L SS (Standard) **UL** HASTELLOY 'C276' **UR** TITANIUM **UW** INCONEL 600
UM MONEL **UP** SILVER* **UQ** TANTALUM **UN** SUPER DUPLEX

XX

PROCESS CONNECTION

WE 1/4"BSP(F) **WI** 1/4"NPT(F) **WY** 1/4"NPT(M) **WS** 1/4"BSP(M) **WR** M20X1.5(M)
WC 3/8"BSP(F) **WH** 1/2"NPT(F) **WA** 1/2"NPT(M)(Standard) **WT** 3/8"BSP(M)(Standard) **WP** M33X1.5(M)
WD 1/2"BSP(F) **WL** 3/4"NPT(F) **WK** 3/4"NPT(M) **WU** 1/2"BSP(M)(Standard)
WJ 3/4"BSP(F) **WF** 3/4"BSP(M)

XX

FILLING LIQUID

US FLUROLUBE 4.2 [-45 to 175°C] **UX** SILICON DC 200[-40 to 205°C]_(Standard) **VB** SYLTHERM XLT [-100 to 260°C]
UT FLUROLUBE 6.3 [-40 to 235°C] **UY** SILICON DC 704 [10 to 337°C] **VC** HALOCARBON OIL*
UU FLUROLUBE FS-5 [-28 to 148°C] **UZ** SILICON DC 710 [7 to 371°C]
UV FOOD GRADE OIL [-20 to 140°C] **VA** SYLTHERM 800 [-40 to 315°C]

XX

OTHER OPTIONS

TB HELIUM LEAK TEST **TC** DRY SEAL ONLY WITHOUT INSTRUMENT **GH** MATERIAL TEST CERTIFICATE*

XX

Ordering Example: D-03-XX-XX-XX-XX-XX-XXXX