

## SPECIAL FEATURES

### Robust Tow Piece Design

The Diaphragm is welded to the Body to ensure separation of the filling fluid from the process medium.

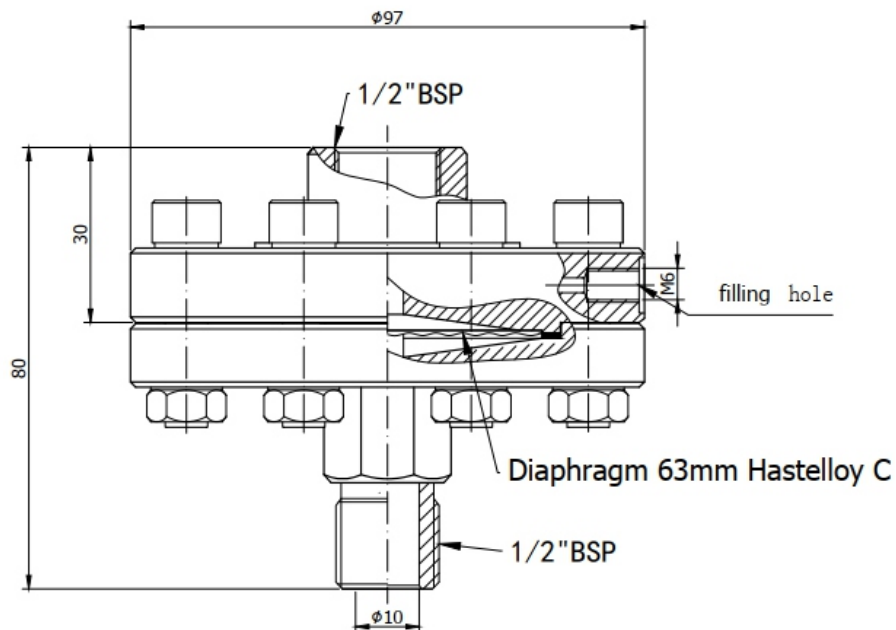
## SPECIFICATIONS

- Range: -1 kg/cm<sup>2</sup> to 400 kg/cm<sup>2</sup> (Standard)
- Process Temperature: -40°C to 200°C or as per fill fluid
- Instrument Connection: 1/2" BSP (F)
- Process Connection: 1/2" BSP (M)
- Fill Liquid: Silicon Oil-DC 200
- Diaphragm: AISI 316L SS
- Top Chamber: AISI 316 SS
- Bottom Chamber: AISI 316 SS
- Nuts / Bolts: AISI 304 SS
- Sealing Gasket: PTFE max 250°/ Inconel silver plated for 400°C max



## APPLICATIONS

Diaphragm seals are designed to Isolate the sensing element of Pressure Gauges and Pressure Switches from process fluids that they may be Corrosive, Viscous, Sedimentous and /or with high Temperature.



Example

## HOW TO ORDER

### BASIC MODEL

D-01

### RANGE

**S06** -1 to 0 kg/cm<sup>2</sup> & 0 to 70 kg/cm<sup>2</sup> (Standard)

**S07** 100 kg/cm<sup>2</sup> to 400 kg/cm<sup>2</sup>

XXX

### INSTRUMENT CONNECTION

**VN** 1/4"BSP(F) **VP** 3/8"BSP(F) **VL** 1/2"BSP(F) **VM** 1/2"NPT(F)(Standard) **VO** 1/4"NPT(F)

XX

### TOP CHAMBER

**XW** AISI 304 SS (Standard)

**YA** AISI SS316L SS

**XY** AISI 316 SS

XX

### DIAPHRAGM

**UJ** AISI 316L SS (Standard)

**UL** HASTELLOY 'C'

**UR** TITANIUM

**UW** INCONEL 600

XX

**UM** MONEL

**UP** SILVER\*

**UQ** TANTALUM

**UN** SUPER DUPLEX

### SEALING GASKET

**VI** PTFE (Standard)

**YR** METAL

**YQ** Inconel Silver Plate for Max 400°C (High Temp.Oil)

XX

### BOTTOM CHAMBER

**TK** AISI 304 SS

**TT** HASTELLOY 'C'

**TM** AISI 316 SS(Standard)

**UD** TANTALUM

**TL** AISI 316L SS

**TZ** PVC\*

**UH** TITANIUM

**UA** PVDF\*

**TX** MONEL

**TY** POLYPROPELENE\*

MOC OF BOTTOM CHAMBER	PRESSURE V/S TEMPERATURE					
	20°C	40°C	60°C	80°C	100°C	120°C
PVDF	10 kg/cm <sup>2</sup>	10 kg/cm <sup>2</sup>	10 kg/cm <sup>2</sup>	7 kg/cm <sup>2</sup>	4 kg/cm <sup>2</sup>	2 kg/cm <sup>2</sup>
PP	10 kg/cm <sup>2</sup>	10 kg/cm <sup>2</sup>	6 kg/cm <sup>2</sup>	4 kg/cm <sup>2</sup>	1 kg/cm <sup>2</sup>	NA
PVC	10 kg/cm <sup>2</sup>	10 kg/cm <sup>2</sup>	4 kg/cm <sup>2</sup>	1 kg/cm <sup>2</sup>	NA	NA

XX

### PROCESS CONNECTION

**WE** 1/4"BSP(F)

**WI** 1/4"NPT(F)

**WY** 1/4"NPT(M)

**WS** 1/4"BSP(M)

**WR** M20X1.5(M)

XX

**WC** 3/8"BSP(F)

**WH** 1/2"NPT(F)

**WA** 1/2"NPT(M)(Standard)

**WT** 3/8"BSP(M)(Standard)

**WP** M33X1.5(M)

**WD** 1/2"BSP(F)

**WL** 3/4"NPT(F)

**WK** 3/4"NPT(M)

**WU** 1/2"BSP(M)(Standard)

**WJ** 3/4"BSP(F)

**WF** 3/4"BSP(M)

### PROTECTION ON WETTED PARTS

**VS** PTFE LINING ON BOTTOM CHAMBER -2mm THICK (Max.Up to 150°C)

**VV** PTFE PROTECTION FOR DIAPHRAGM (Max.Up to 150°C max up to 100 bar)

**VZ** PTFE COATING ON DIAPHRAGM (Max.Up to 315°C)

XX

### FILLING LIQUID

**US** FLUROLUBE 4.2 [-45 to 175°C]

**UX** SILICON DC 200[-40 to 205°C](Standard)

**VB** SYLTHERM XLT [-100 to 260°C]

**UT** FLUROLUBE 6.3 [-40 to 235°C]

**UY** SILICON DC 704 [10 to 337°C]

**VC** HALOCARBON OIL\*

**UU** FLUROLUBE FS-5 [-28 to 148°C]

**UZ** SILICON DC 710 [7 to 371°C]

**VD** LRS9 [-40 to 400°C]

**UV** FOOD GRADE OIL [-20 to 140°C]

**VA** SYLTHERM 800 [-40 to 315°C]

XX

### REMOTE MOUNTING (With Capillary of Max. Up to 15 Mtrs.)

SPECIFY IN METERS (e.g 1.5=1.5 METERS 2.0=2 METERS)

3Mtr.

### CAPILLARY

**PE** AISI 304 SS

**PG** AISI 316 SS

XX

### CAPILLARY COVERED WITH ARMOUR

**PF** AISI 304 SS

**PH** AISI 316 SS

**PI** PVC

XX

### OTHER OPTIONS

**TB** HELIUM LEAK TEST

**TC** DRY SEAL ONLY WITHOUT INSTRUMENT

**GH** MATERIAL TEST CERTIFICATE\*

XX

Ordering Example: **D-01-XXX-XX-XX-XX-XX-XX-XX-XX-XX-3 Mtr-XX-XX-XX**