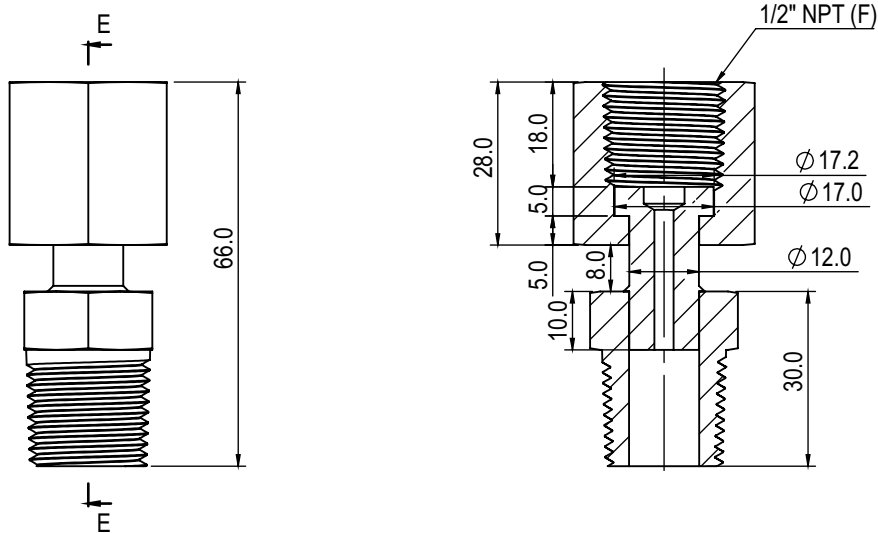


SPECIFICATIONS

Rating: 6000 psi / 400 bar
 Material: AISI 316 SS
 Instrument Connection: 1/2" NPT (F)
 Process Connection: 1/2" NPT (M)

APPLICATIONS

For the mounting of Pressure measuring instrument , Stopcocks , Shut-off Valves Syphons, Snubbers and other accessory components.



HOW TO ORDER

BASIC MODEL

BODY

CL AISI 316 SS	CM AISI 316L SS	CN MONEL 400	CA HASTELLOY C276
CB INCONEL 625	CC SUPER DUPLEX	CD DUPLEX	CF UNS S31254

CONNECTION

NF 1/4" (F X F)	NI 3/8" (F X F)	NL 1/2" (F X F)	NG 1/4" (M X F)
NJ 3/8" (M X F)	NM 1/2" (F X F)	NH 1/4" (M X M)	NK 1/2" (M X M)

THREAD

GU BSP	GP NPT
---------------	---------------

OPTIONS

PV WITH IBR APPROVAL	GH MATERIAL TEST CERTIFICATES	CW MARKING BY LASER
CX MARKING BY ENGRAVING		

Ordering Example: **AC-07-XX-XX-XX-XX**

Example

AC-07

XX

XX

XX

XX