

SPECIAL FEATURES

Designed to protect Pressure Instruments from sudden Pressure changes & Fluctuation.

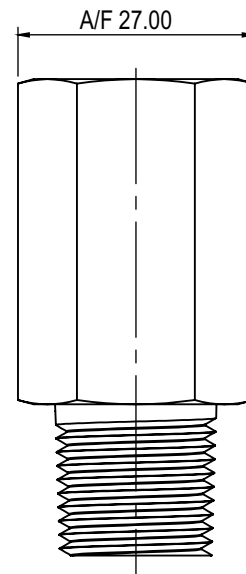
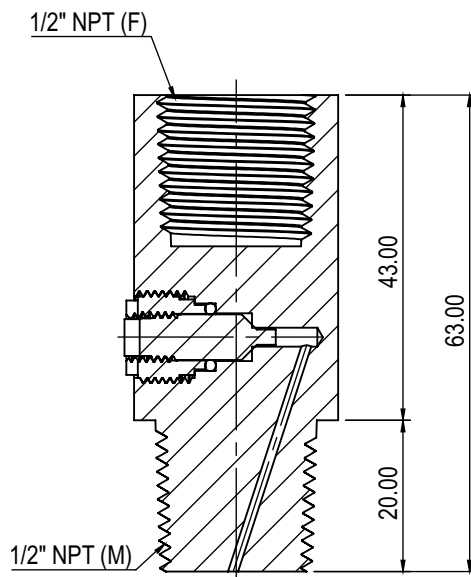
STANDARD VERSION

Working Pressure: Up to 400 kg/cm²
Working Temperature: -20°C to 120°C
Instrument Connection : 1/2"NPT(F)
Process Connection: 1/2" NPT (M)
Material: AISI 316 SS



APPLICATIONS

Hydraulic Machines, Compressors, Process Plants, Clean Air, Gases & Non Crystallized Liquids.



HOW TO ORDER

BASIC MODEL

BODY

KM AISI 316L SS	KV CARBON STEEL	KX TITANIUM
KY HASTELLOY C	KW MONEL	CT ANSI 316 SS (Standard)

CONNECTION

2BM.2BF 1/4" BSP (M X F)	3BM.3BF 3/8" BSP (M X F)	4BM.4BF 1/2" BSP (M X F)(Standard)
2NM.2NF 1/4" NPT (M X F)	3NM.3NF 3/8" NPT(M X F)	4NM.4NF 1/2" NPT(M X F)(Standard)
2TM.2TF 1/4" BSPT (M X F)	3TM.3TF 3/8" BSPT (M X F)	4TM.4TF 1/2" BSPT (M X F)
		4MM.4MF M20 X 1.5 (M X F)

OPTIONAL EXTRAS

SG OXYGEN SERVICE	GH MATERIAL TEST CERTIFICATES*	TF TESTED TO NACE STANDARDS
--------------------------	---------------------------------------	------------------------------------

Ordering Example: **AC-05-XX-XXX.XXX-XX**

Example

AC-05

XX

XXX.XXX

XX