

SPECIAL FEATURES

Nominal Pressure up to 400 bar
 7 different selectable setting ranges
 over pressure up to 600 bar
 below types & Piston type models.

STANDARD VERSION

Overload Protector Type: E01 Bellow Type
 E02 Piston Type

Adjustable Range: E01 600 mbar to 4 bar
 E02 6 bar to 400 bar

“O”Ring: Viton

Maximum Working Pressure: 400 bar

Operating Temperature: -40°C to 120°C

Material of Construction: AISI 316 SS



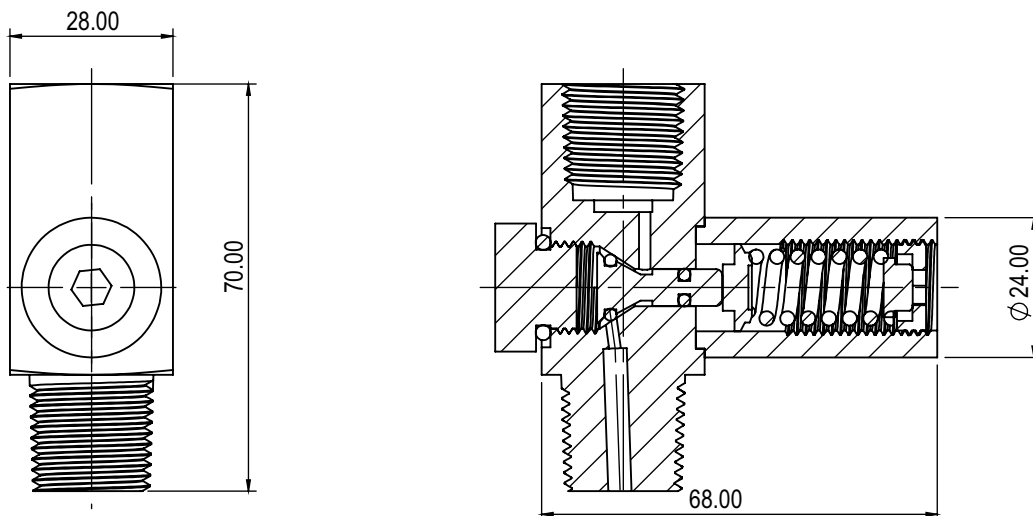
APPLICATIONS

Designed to protect pressure instruments from over pressure exceeding the specified pressure range by sudden & excessive pressure fluctuation from surge or spike.

This device blocks the higher pressure exceeding the allowed value, until it comes back to normal, when system pressure becomes normal.

Hence this device safeguards the Pressure Instruments, Gauges, Switches or Transmitters by blocking extra high pressure.

Widely used in Mechanical Engineering and Plant Construction, Power Stations, Mining, Environmental Technology, Chemical and Petrochemical, On Shore & Off Shore.



HOW TO ORDER

BASIC MODEL

ADJUSTABLE RANGE

CQ AISI 304 SS **CP** BRASS **CL** AISI 316 SS (Standard)

RANGE TABLE

TYPE	RANGE
E01	600 mbar to 1.5 bar
E01	1 to 4 bar
E02	4 to 16 bar
E02	10 to 40 bar
E02	30 to 80 bar
E02	60 to 160 bar
E02	100 to 400 bar

Note : Specify required Range or Adjustable Range while ordering.
Otherwise the protector will be set to first value of adjustable range table.

BODY

KM AISI 316L SS **KV** CARBON STEEL **KX** TITANIUM
KY HASTELLOY C **KW** MONEL **CT** AISI 316 SS (Standard)
CB INCONEL 625 **CC** SUPER DUPLEX

PROCESS CONNECTION

2BM.2BF 1/4" BSP (M X F) **3NM.3NF** 3/8" NPT (M X F)
2NM.2NF 1/4" NPT (M X F) **4BM.4BF** 1/2" BSP(M X F)(Standard)
3BM.3BF 3/8" BSP (M X F) **4NM.4NF** 1/2" NPT (M X F)(Standard)

OPTIONS

GH Material Test Certificate** **SG** Oxygen Service*
TF Tested to NACE Standard

Ordering Example: AC-03-XXX OR XXX/XXX -XX-XXX.XXX-XX

Example

AC-03

XXX
OR
XXX/XXX

XX

XXX.XXX

XX