

SPECIAL FEATURES

PTFE adjustable packing installed below operating threads to prevent Media Contamination or Lubricant Washout of operating threads spindle for longer durable operation with air vent hole (Optional)

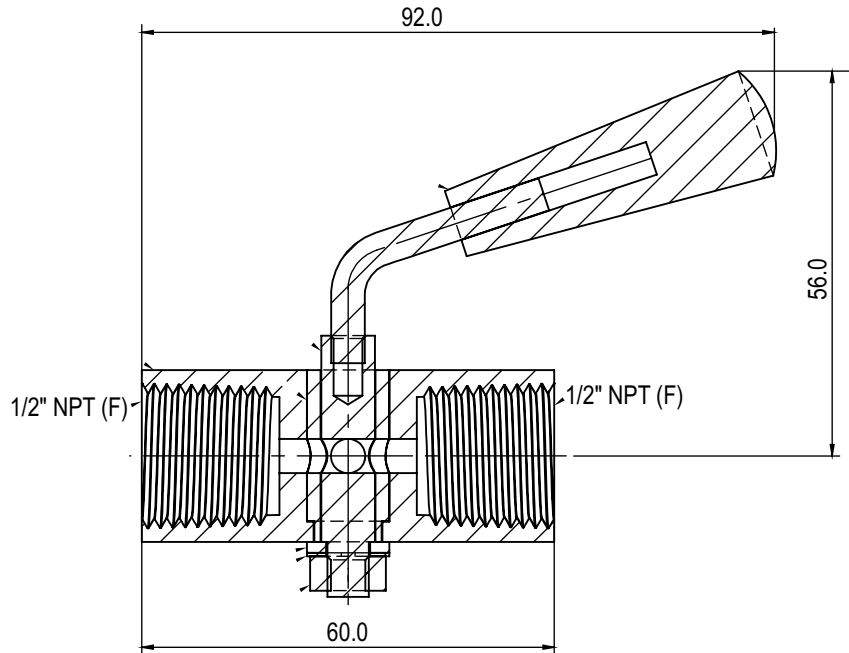
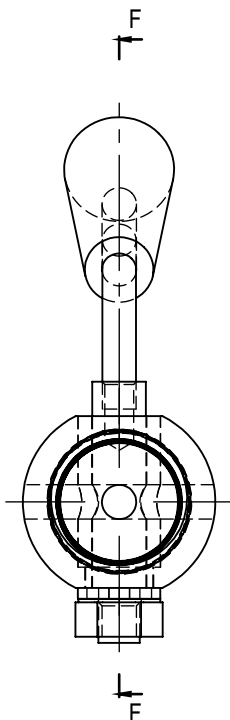
STANDARD VERSION

Body: AISI 316 SS
 Handle: AISI 316 SS
 Working Temperature: Up to 180°C
 Gasket Seal: PTFE
 Nominal Pressure: 100 kg/cm²



APPLICATIONS

Hydraulic Machines, Compressors, Process Plants, Clean Air, Gases & Non Crystallized Liquids.



SECTION F-F

Example

HOW TO ORDER

BASIC MODEL

AC-02

TYPE

KS 2 WAY-ROUND BAR **KU** 3 WAY-ROUND BAR **KT** 3 WAY-ROUND BAR

XX

BODY

KM AISI 316L SS **KV** CARBON STEEL **KX** TITANIUM
KY HASTELLOY C **KW** MONEL **CT** AISI 316 SS (Standard)
CP BRASS

XX

SIZE & END CONNECTION [INLET X OUTLET]

NF 1/4" (F X F) (Standard) **NI** 3/8" (F X F) (Standard) **NL** 1/2" (F X F) (Standard)
NG 1/4" (M X F) **NJ** 3/8" (M X F) **NM** 1/2" (M X F)
NH 1/4" (M X M) **NK** 3/8" (M X M) **NN** 1/2" (M X M)

XX

In case of 3 Way Gauge Cock ,One Connection will be Male & Another Two will be Female.
Example:NM: 1/2" (M X F) Means 1/2" (M X F X F)

THREAD TYPE

GU BSP **GV** NPT

XX

OPTIONAL EXTRAS

GH Material Test Certificate **GI** Vent Hole

XX

Ordering Example: AC-02-XX-XX-XX-XX-XX