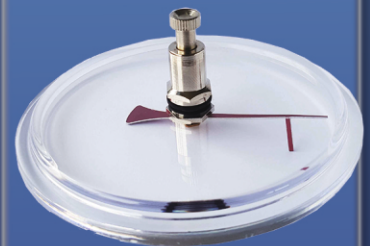


ACCESSORIES



ELITE INSTRUMENTS

ISO 9001 COMPANY

PRESSURE GAUGE | THERMOMETER | DIAPHRAGM SEAL | ACCESSORIES

www.elite-instrument.com
www.elite-instruments.com



the pressure equipment safety authority

NS : 40 / 50 / 63 / 80 /
100 / 125 / 160 /
200 / 250mm

Ranges
available up
to 60,000 psi

**WETTED PARTS -AVAILABLE
SS 316L , HASTELLOY-C276 ,
INCONEL 625 , MONEL 400**

- Bourdon Tube - AS PER NACE MR 0175
- Socket - AS PER NACE MR 0175
- Bourdon Tube - Seamless Tube
- Tig Welding - Approved by TUV
- Leak Testing - Helium Leak Tested
- Movement - Silicone Jelly Movement
- Dial - White Aluminum
- Window - Safety Glass
- Gasket - NBR
- Blow out Disc - Temperature Compensated
- IP Protection - IP 68

*PLEASE REFER PRESSURE GAUGE CATALOGUE FOR DETAILS

Table of contents

SR NO.	MODEL NO.	DESCRIPTION	PAGE NO.
1	AC-01	COOLING TOWER	1
2	AC-02	GAUGE COCK	3
3	AC-03	OVERLOAD PROTECTOR	5
4	AC-04	FLUSHING RING	7
5	AC-05	PULSATION DAMPENER ADJUSTABLE NEEDLE TYPE	9
6	AC-06	SIPHON	11
7	AC-07	SWIVEL ADAPTER	13
8	AC-08	MAX DRAG RED POINTER	14

SPECIAL FEATURES

Stainless Steel Construction
 Suitable for Clean Air, Gases
 & Non Crystallized Liquids

STANDARD VERSION

Operating Temperature: Type CT1 & CT2-Up to 220°C
 Type CT3 Up to 150°C

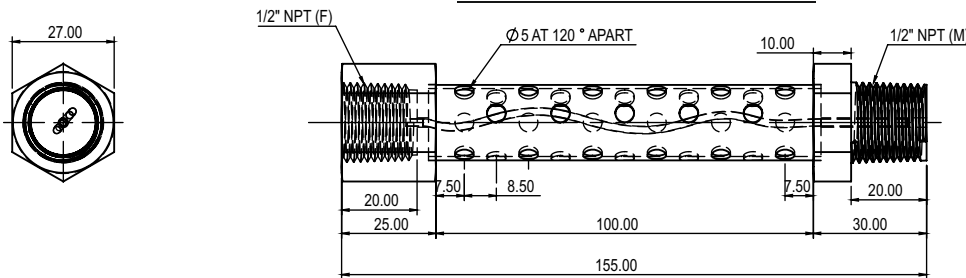
Material of Connection: AISI 316 SS

APPLICATIONS

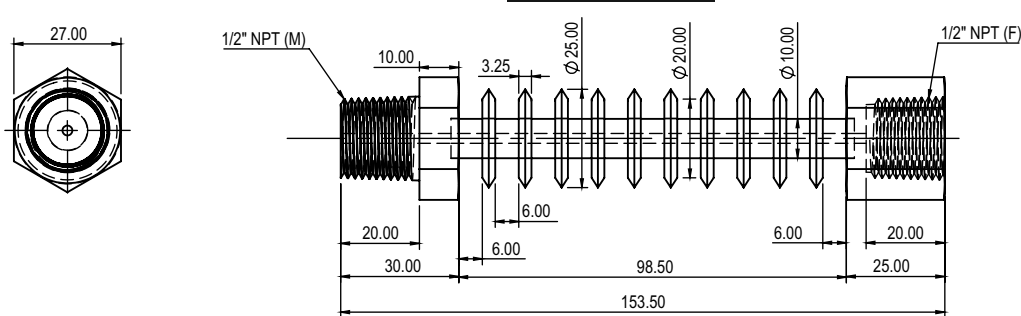
Cooling Towers are used mainly to protect Pressure Instruments, Gauges, Switches and Transmitters. Directly coming in contact with high temperature Process fluid or Vapours filled with condensation fluids. These are mounted between process and pressure instrument. They reduce process pulsation, Act as Heat Dispenser and generate cooling effect to save instrument from working at Dangerous Temperature.



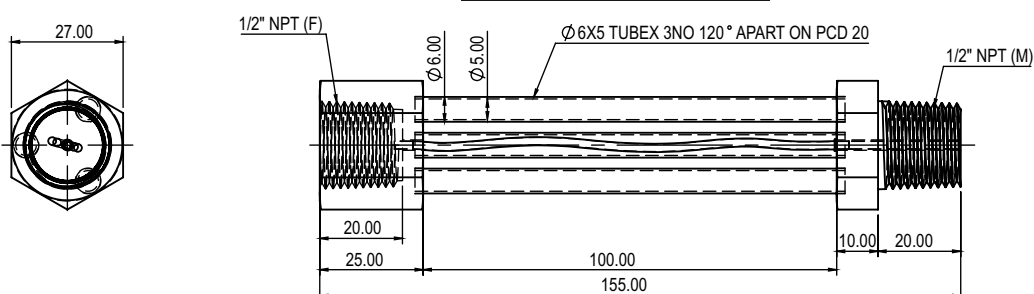
CT 1- PERFORATED TYPE



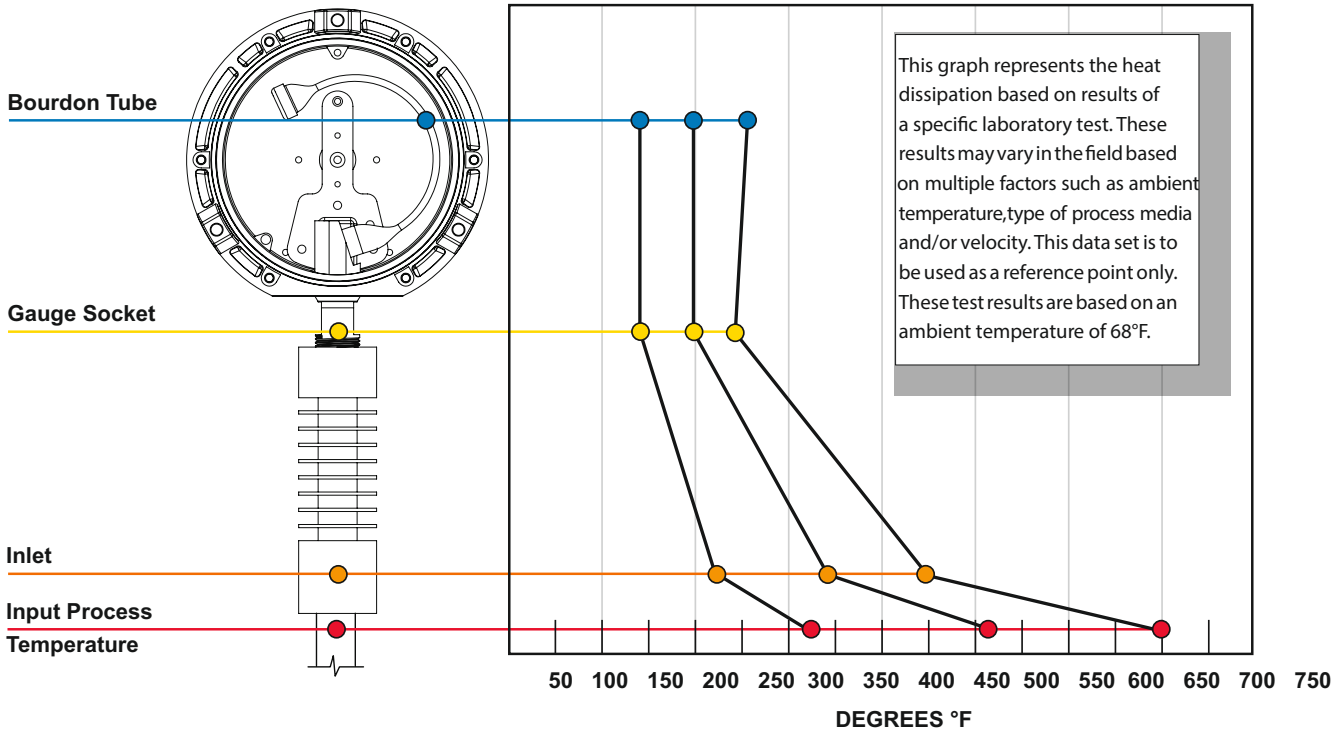
CT 2- FIN TYPE



CT 3- CAPILARY TYPE



COOLING TOWER FIN TYPE HEAT LOSS CHART



HOW TO ORDER

BASIC MODEL

TYPE

CT1 PERFORATED **CT2** FIN TYPE **CT3** CAPILLARY

BODY

KM AISI 316L SS **KV** CARBON STEEL **KX** TITANIUM
KY HASTELLOY C **KW** MONEL **CT** AISI 316 SS (Standard)

CONNECTION

2BM.2BF 1/4" BSP (M X F) **3BM.3BF** 3/8" BSP (M X F) **4BM.4BF** 1/2" BSP (M X F)
2NM.2NF 1/4" NPT (M X F) **3NM.3NF** 3/8" NPT (M X F) **4NM.4NF** 1/2" NPT (M X F)

Example

AC-01

XXX

XX

XXX.XXX

Ordering Example: **AC-01-XXX-XX-XXX.XXX**

SPECIAL FEATURES

PTFE adjustable packing installed below operating threads to prevent Media Contamination or Lubricant Washout of operating threads spindle for longer durable operation with air vent hole (Optional)

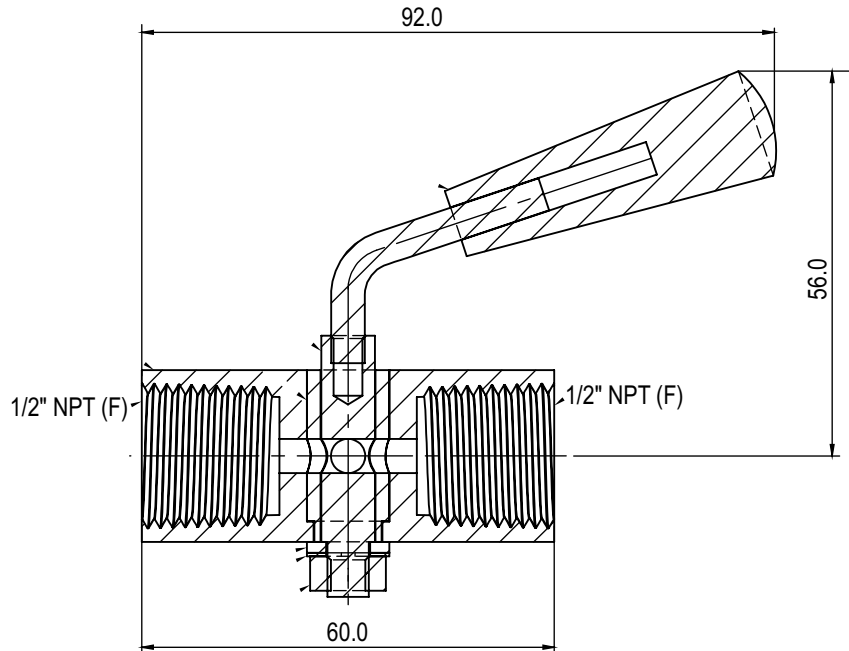
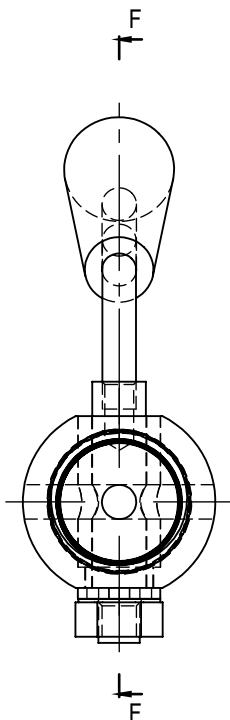
STANDARD VERSION

Body: AISI 316 SS
 Handle: AISI 316 SS
 Working Temperature: Up to 180°C
 Gasket Seal: PTFE
 Nominal Pressure: 100 kg/cm²



APPLICATIONS

Hydraulic Machines, Compressors, Process Plants, Clean Air, Gases & Non Crystallized Liquids.



SECTION F-F

Example

HOW TO ORDER

BASIC MODEL

AC-02

TYPE

KS 2 WAY-ROUND BAR **KU** 3 WAY-ROUND BAR **KT** 3 WAY-ROUND BAR

XX

BODY

KM AISI 316L SS **KV** CARBON STEEL **KX** TITANIUM
KY HASTELLOY C **KW** MONEL **CT** AISI 316 SS (Standard)
CP BRASS

XX

SIZE & END CONNECTION [INLET X OUTLET]

NF 1/4" (F X F) (Standard) **NI** 3/8" (F X F) (Standard) **NL** 1/2" (F X F) (Standard)
NG 1/4" (M X F) **NJ** 3/8" (M X F) **NM** 1/2" (M X F)
NH 1/4" (M X M) **NK** 3/8" (M X M) **NN** 1/2" (M X M)

XX

In case of 3 Way Gauge Cock ,One Connection will be Male & Another Two will be Female.
Example:NM: 1/2" (M X F) Means 1/2" (M X F X F)

THREAD TYPE

GU BSP **GV** NPT

XX

OPTIONAL EXTRAS

GH Material Test Certificate **GI** Vent Hole

XX

Ordering Example: AC-02-XX-XX-XX-XX-XX

SPECIAL FEATURES

Nominal Pressure up to 400 bar
 7 different selectable setting ranges
 over pressure up to 600 bar
 below types & Piston type models.

STANDARD VERSION

Overload Protector Type: E01 Bellow Type
 E02 Piston Type

Adjustable Range: E01 600 mbar to 4 bar
 E02 6 bar to 400 bar

“O”Ring: Viton

Maximum Working Pressure: 400 bar

Operating Temperature: -40°C to 120°C

Material of Construction: AISI 316 SS



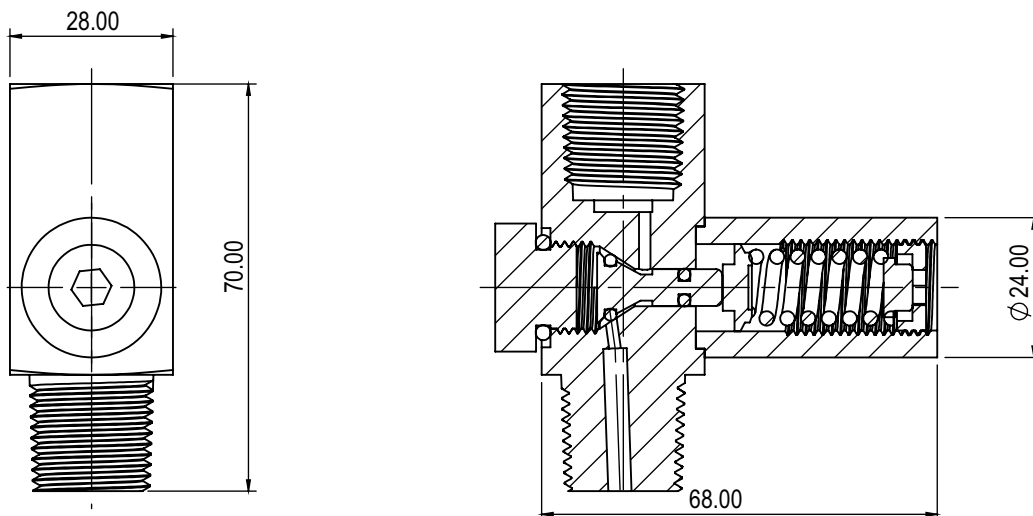
APPLICATIONS

Designed to protect pressure instruments from over pressure exceeding the specified pressure range by sudden & excessive pressure fluctuation from surge or spike.

This device blocks the higher pressure exceeding the allowed value, until it comes back to normal, when system pressure becomes normal.

Hence this device safeguards the Pressure Instruments, Gauges, Switches or Transmitters by blocking extra high pressure.

Widely used in Mechanical Engineering and Plant Construction, Power Stations, Mining, Environmental Technology, Chemical and Petrochemical, On Shore & Off Shore.



HOW TO ORDER

BASIC MODEL

ADJUSTABLE RANGE

CQ AISI 304 SS **CP** BRASS **CL** AISI 316 SS (Standard)

RANGE TABLE

TYPE	RANGE
E01	600 mbar to 1.5 bar
E01	1 to 4 bar
E02	4 to 16 bar
E02	10 to 40 bar
E02	30 to 80 bar
E02	60 to 160 bar
E02	100 to 400 bar

Note : Specify required Range or Adjustable Range while ordering.
Otherwise the protector will be set to first value of adjustable range table.

BODY

KM AISI 316L SS **KV** CARBON STEEL **KX** TITANIUM
KY HASTELLOY C **KW** MONEL **CT** AISI 316 SS (Standard)
CB INCONEL 625 **CC** SUPER DUPLEX

PROCESS CONNECTION

2BM.2BF 1/4" BSP (M X F) **3NM.3NF** 3/8" NPT (M X F)
2NM.2NF 1/4" NPT (M X F) **4BM.4BF** 1/2" BSP(M X F)(Standard)
3BM.3BF 3/8" BSP (M X F) **4NM.4NF** 1/2" NPT (M X F)(Standard)

OPTIONS

GH Material Test Certificate** **SG** Oxygen Service*
TF Tested to NACE Standard

Ordering Example: AC-03-XXX OR XXX/XXX -XX-XXX.XXX-XX

Example

AC-03

XXX
OR
XXX/XXX

XX

XXX.XXX

XX

SPECIAL FEATURES

With Double Flushing Ports.
 Suitable with Flanged, Pancake or Inline diaphragm Seals.
 Available in all Exotic Materials Grades.

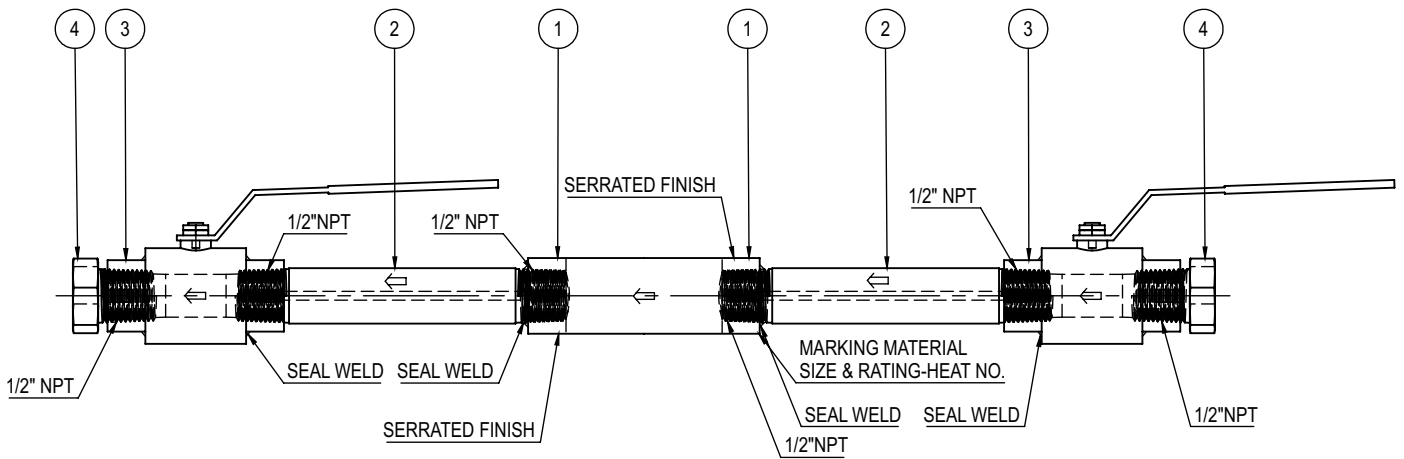
STANDARD VERSION

Flange Size: 2" to 5" as per ANSI B 16.5
 Material: AISI 316 SS
 Number of Ports : Two
 Port Connection: 1/4" NPT (F) with male plug
 sealing face: Raised Face



APPLICATIONS

The Flushing Ring is designed to be sandwiched between the process flange & the Diaphragm Seal. Material collected in front Diaphragm can be flushed out through the flushing ports.



ITEM NO.	DESCRIPTION	QTY (NO.)
1	FLUSH RING	1
2	NIPPLE	2
3	BALL VALVE	2
4	BLIND PLUG	2

HOW TO ORDER

Example

BASIC MODEL

AC-04

FLUSHING RING MATERIAL

KM	AISI 316L SS	KV	CARBON STEEL	KX	TITANIUM	XX
KY	HASTELLOY C	KW	MONEL	CT	ANSI 316 SS (Standard)	
UW	INCONEL 625	UN	SUPER DUPLEX	TE	UNS S31254	

FLUSHING PORTS (WITH TWO MALE PLUGS)

VF	1/4"NPT (F) Standard	VD	1/2"NPT(F)	XX
-----------	----------------------	-----------	------------	----

SEALING FACE

A2	RAISED FACE	A3	FLAT FACE	A5	RING JOINT (RTJ,RJ)	XX
-----------	-------------	-----------	-----------	-----------	---------------------	----

Note : Other Sealing face can be provided on request.Please specify in notes.

OPTIONS

GH	Material Test Certificate**	XX
-----------	-----------------------------	----

Ordering Example: AC-04-XX-XX-XX-XX

SPECIAL FEATURES

Designed to protect Pressure Instruments from sudden Pressure changes & Fluctuation.

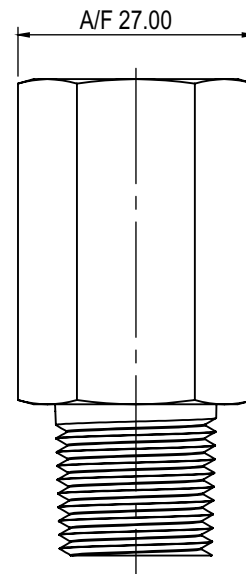
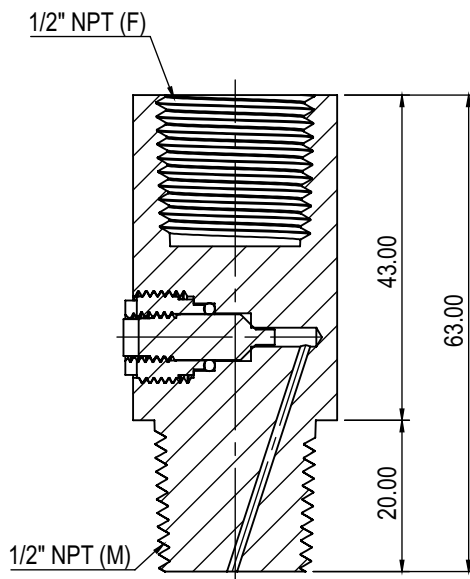
STANDARD VERSION

Working Pressure: Up to 400 kg/cm²
 Working Temperature: -20°C to 120°C
 Instrument Connection : 1/2"NPT(F)
 Process Connection: 1/2" NPT (M)
 Material: AISI 316 SS



APPLICATIONS

Hydraulic Machines, Compressors, Process Plants, Clean Air, Gases & Non Crystallized Liquids.



HOW TO ORDER

BASIC MODEL

BODY

KM AISI 316L SS	KV CARBON STEEL	KX TITANIUM
KY HASTELLOY C	KW MONEL	CT ANSI 316 SS (Standard)

CONNECTION

2BM.2BF 1/4" BSP (M X F)	3BM.3BF 3/8" BSP (M X F)	4BM.4BF 1/2" BSP (M X F)(Standard)
2NM.2NF 1/4" NPT (M X F)	3NM.3NF 3/8" NPT(M X F)	4NM.4NF 1/2" NPT(M X F)(Standard)
2TM.2TF 1/4" BSPT (M X F)	3TM.3TF 3/8" BSPT (M X F)	4TM.4TF 1/2" BSPT (M X F)
		4MM.4MF M20 X 1.5 (M X F)

OPTIONAL EXTRAS

SG OXYGEN SERVICE	GH MATERIAL TEST CERTIFICATES*	TF TESTED TO NACE STANDARDS
--------------------------	---------------------------------------	------------------------------------

Ordering Example: **AC-05-XX-XXX.XXX-XX**

Example

AC-05

XX

XXX.XXX

XX

SPECIAL FEATURES

Pigtail, Coil and "U" Type Shapes
 Maximum Temperature up to 400°C
 Nominal Pressure up to 160 bar
 Tig Welded & Hydro Tested
 Made with Seamless Pipe.



APPLICATIONS

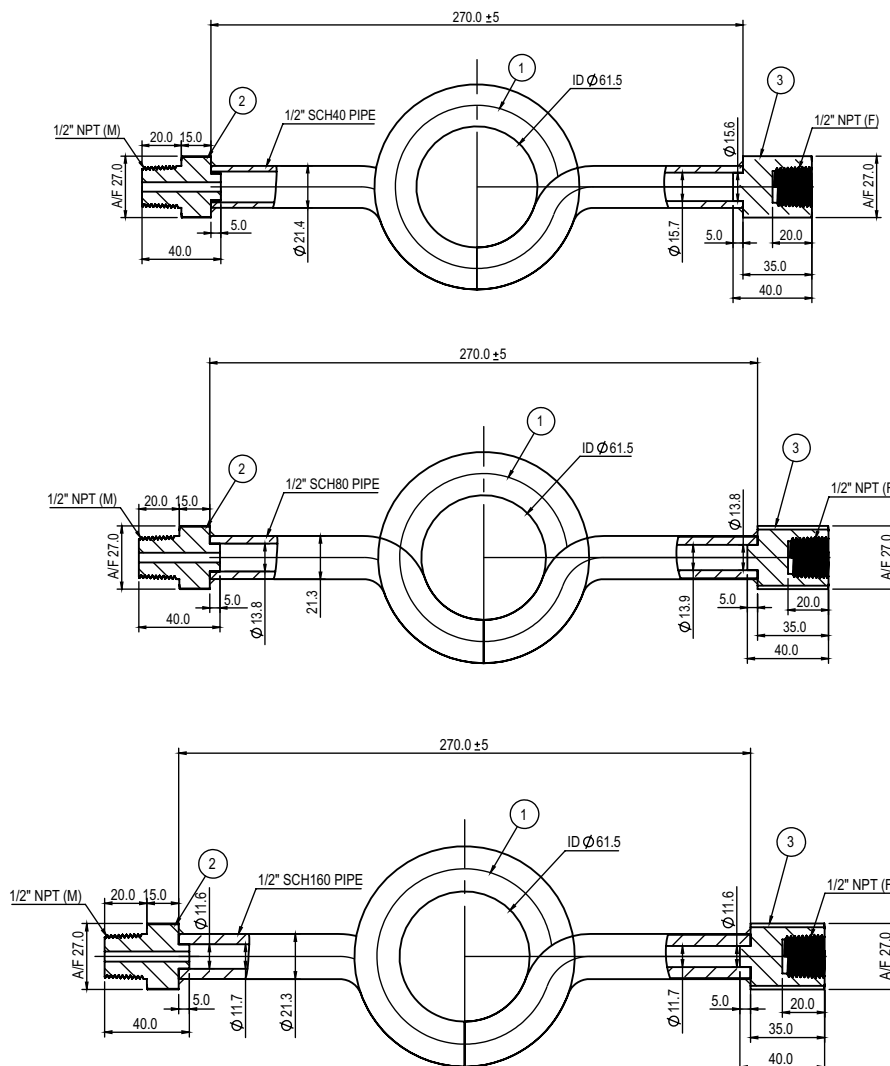
Siphons are used mainly to protect Pressure Instruments, Gauges, Switches and Transmitters directly coming in contact with high temperature process fluids or vapours. These are mounted between process and Pressure Instrument, They reduce process pulsation and generate cooling effect to save the Instrument.

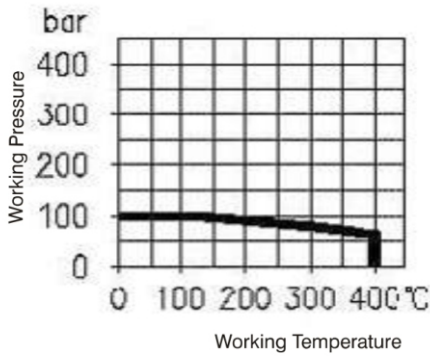
SPECIFICATIONS

BODY MATERIAL
AISI 316 Stainless Steel

PIPE SIZE
1/2" , Schedule 40

OPERATING PRESSURE
100 bar at 120°C





PIGTAIL TYPE

Form	Body Material	Size	Pressure Rating (Bar)	Temp. Rating
	Steel, Sch.40	1/4" NPT	34.47	204.44
	AISI 316 SS	1/4" NPT	34.47	204.44

COIL TYPE

Form	Body Material	Size	Pressure Rating (Bar)	Temp. Rating (°C)
	Steel, Sch.40	1/4" NPT	34.47	204.44
	Steel, Sch.80	1/4" NPT	34.47	204.44
	Steel, Sch.80	1/2" NPT	206.84	204.44
	Steel, Sch.160	1/2" NPT	249.59	371.11
	AISI 316 SS Steel, Sch 80	1/2" NPT	182.71	260
	AISI 316 SS Steel, Sch 160	1/2" NPT	386.1	260

HOW TO ORDER

BASIC MODEL (WITH PLAIN END)

TYPE

MR COIL TYPE **MS** PIGTAIL TYPE **MT** 'U' TYPE

BODY

CR CARBON STEEL (RED OXIDE PAINTED)* **CQ** AISI 304 SS **CL** AISI 316 SS(Standard)
CS MILD STEEL (CHROME PLATED)* **CM** AISI 316L SS

PIPE SIZE & SCHEDULE

Pipe Size	Schedule
1/4"	40, 80 & 160
3/8"	40, 80 & 160
1/2"	40, 80 & 160

CONNECTION TYPE

MU SWIVEL FEMALE CONNECTION* **MV** ADAPTOR FOR MALE OR FEMALE THREADING
CZ MALE THREAD ON PIPE

CONNECTION

2BM.2BF 1/4" BSP (M X F)	2BM.2BM 1/4" BSP (M X M)	2BF.2BF 1/4" BSP (F X F)
2NM.2NF 1/4" NPT (M X F)*	2NM.2NM 1/4" NPT (M X M)	2NF.2NF 1/4" NPT (F X F)*
3BM.3BF 3/8" BSP (M X F)	3BM.3BM 3/8" BSP (M X M)	3BF.3BF 3/8" BSP (F X F)
3NM.3NF 3/8" NPT (M X F)*	3NM.3NM 3/8" NPT (M X M)	3NF.3NF 3/8" NPT (F X F)*
4BM.4BF 1/2" BSP (M X F)(Standard)	4BM.4BM 1/2" BSP (M X M)	4BF.4BF 1/2" BSP (F X F)*
4NM.4NF 1/2" NPT (M X F)(Standard)*	4NM.4NM 1/2" NPT (M X M)	4NF.4NF 1/2" NPT (F X F)*
4NM.PE 1/2" NPT (M)X PLAIN END		

OPTIONS

PV WITH IBR APPROVAL **GH** MATERIAL TEST CERTIFICATES **CW** MARKING BY LASER
CX MARKING BY ENGRAVING

Ordering Example: AC-06-XX-XX- (1/4-40)-XX-XXX.XXX-XX

Example

AC-06

XX

XX

(1/4-40)

XX

XXX.XXX

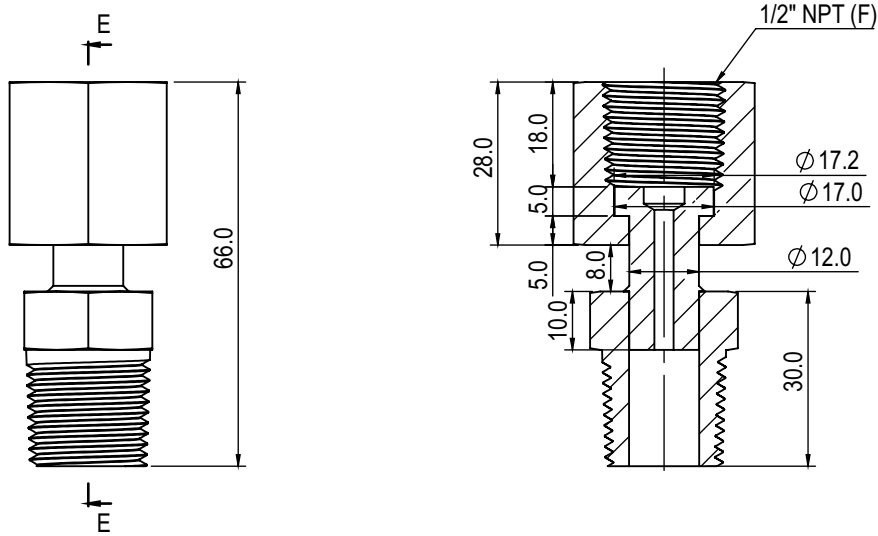
XX

SPECIFICATIONS

Rating: 6000 psi / 400 bar
 Material: AISI 316 SS
 Instrument Connection: 1/2" NPT (F)
 Process Connection: 1/2" NPT (M)

APPLICATIONS

For the mounting of Pressure measuring instrument , Stopcocks , Shut-off Valves Syphons, Snubbers and other accessory components.



HOW TO ORDER

BASIC MODEL

BODY

CL AISI 316 SS	CM AISI 316L SS	CN MONEL 400	CA HASTELLOY C276
CB INCONEL 625	CC SUPER DUPLEX	CD DUPLEX	CF UNS S31254

CONNECTION

NF 1/4" (F X F)	NI 3/8" (F X F)	NL 1/2" (F X F)	NG 1/4" (M X F)
NJ 3/8" (M X F)	NM 1/2" (F X F)	NH 1/4" (M X M)	NK 1/2" (M X M)

THREAD

GU BSP	GP NPT
---------------	---------------

OPTIONS

PV WITH IBR APPROVAL	GH MATERIAL TEST CERTIFICATES	CW MARKING BY LASER
CX MARKING BY ENGRAVING		

Ordering Example: **AC-07-XX-XX-XX-XX**

Example

AC-07

XX

XX

XX

XX

SPECIAL FEATURES

Curved Type Polycarbonate Lens
 Maximum Drag Pointer With Key
 0.39" (10mm) Pointer Arm
 DIN Case & American Bayonet Case
 Versions For Options

SPECIFICATIONS

Material: Polycarbonate (PC)
 Type: Curved Type
 Pointer: Aluminum Red Painted With Key
 Pointer Arm: 0.39" (10mm) Customer Can Cut As Request

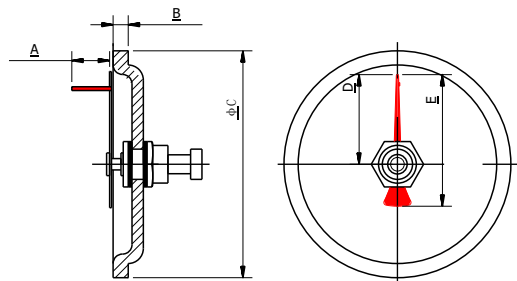
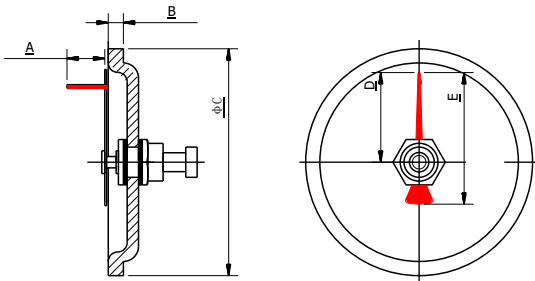


STANDARD VERSION NOMINAL SIZE

NOMINAL SIZE: 2.5" (63mm) & 4" (100mm)

DIN CASE TYPE

AMERICAN CASE TYPE



NS	A	B	φC	D	E	Weight (lbs)
2.5"	0.39"	0.16"	2.36"	0.9"	1.36"	0.05
4"	0.39"	0.16"	3.74"	1.52"	2.24"	0.11

NS	A	B	φC	D	E	Weight (lbs)
2.5"	0.39"	0.16"	2.52"	0.9"	1.36"	0.05
4"	0.39"	0.16"	4.13"	1.52"	2.24"	0.11



ABOUT US:

Elite Instruments is a world class manufacturer of measuring instruments and accessories, including pressure gauges, thermometers, level gauges, pressure switches, RTD's, thermocouples and thermowells. We specialize in working together with our customers to develop comprehensive solutions in measurement technology and integrating those solutions into their processes.

Established in 2010, Elite Instruments delivers over 2 million quality products to over 50 countries every year. Worldwide, over 6 million ELITE measuring instruments are currently in use.

Headquartered in China, Kunshan Elite Instruments Company Ltd. also has locations in Singapore and India to better serve our customers,

Elite serves a wide variety of industries worldwide, including:

1. Oil and Gas
2. Chemical and Petrochemical
3. Food and Pharmaceutical
4. Water and Wastewater
5. Engineering and Process

Elite also specializes in developing custom built OEM products as per customer requirements. Our proficient team of engineers will work to bring your custom design to life, or work with you to create new products designed meet your exact needs.

Our customers have testified that the Quality, workmanship, appearance and packaging of Elite products are second to none.

Elite Instruments is ISO 9001 :2008 certified with many products holding ATEX approval, per 2014/34/EU Our state of the art production, testing and warehouse facilities ensure Elite exceeds customer expectations for quality and delivery.

Elite's commitment to quality is demonstrated by our investment in world class production and testing equipment.

Our commitment to quality is also demonstrated in our procedures. All Elite products undergo rigorous quality inspection before, during and post-production to ensure 100% of products meet customer demands and specifications.

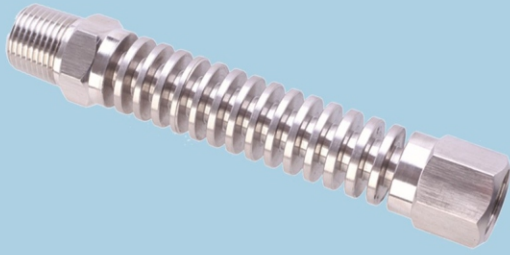
Elite Instruments' customer service is fast and flexible. We always put our CUSTOMER FIRST. Let us prove that we are the best choice for your supplier of measuring instruments.

Please visit our website www.elite-instrument.com or send your enquires to sales@elite-instrument.com

Please visit youtube page :

<https://youtu.be/72MgbJNO5fw>

ACCESSORIES



**AC-01
COOLING TOWER**

Min. Pressure: -30inHg
Max. Pressure : 6,000psi



**AC-02
GAUGE COCK**

Min. Pressure: -30inHg
Max. Pressure : 230 psi
and 1,500 psi as option



**AC-03
GAUGE SAVER**

Min. Pressure: -30inHg
Max. Pressure :10,000 psi



**AC-04
FLUSHING RING**

Min. Pressure: -30inHg
Max. Pressure :6,000 psi



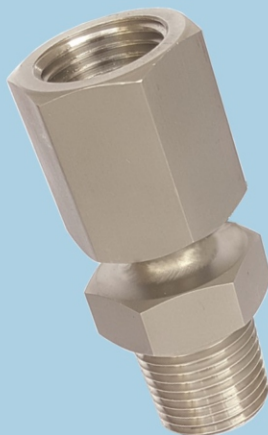
**AC-05
PULSATION DAMPENER**

Min. Pressure: -30inHg
Max. Pressure :6,000 psi



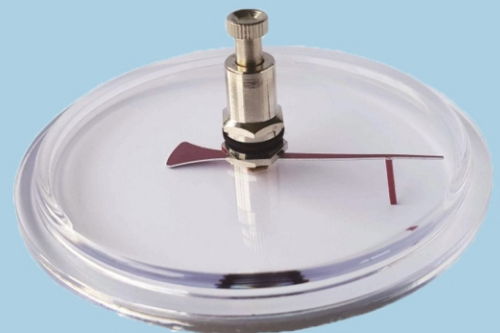
**AC-06
SIPHON**

Min. Pressure: -30inHg
Max. Pressure :1,500 psi



**AC-07
SWIVEL ADAPTOR**

Min. Pressure: -30inHg
Max. Pressure :6,000 psi



**AC-08
CURVED PC LENS WITH
RED DRAG POINTER**

Size: 2.5" & 4"



Manufacturing Units

KUNSHAN ELITE INSTRUMENTS CO.,LTD

No.10 Jinlu Road,Jinxi Town,Kunshan City,**Jiangsu Province,CHINA** 215324

Tel.+86 512 57228705 Fax: +86 512 57228707 ,Mobile: +86 13586509674

Email : sales@elite-instrument.com / snreddy@elite-instruments.com

HANSHAN ELITE INSTRUMENTS CO.,LTD

No.5, Science And Technology Business Incubator, Hanshan Economic Development Zone, Ma'An Shan City, **An Hui Province, China**-238100

Tel.+86 555-4378777 Fax:+86 555-4378777 ,Mobile: +86 13586509674

Email : sales@elite-instrument.com / snreddy@elite-instruments.com

ELITE INSTRUMENTS

Special Plot No.3 ,Phase-2 APIIC Industrial Park,Peddapuram 533437-

East Godavari District,Andhra Pradesh,**INDIA**

Tel.+91 08852-294678 ,Mobile: +91 810603131

Email : sales@elite-instrument.com / snreddy@elite-instruments.com

ELITE INSTRUMENTS PTE.,LTD

Blk 122,#03-20 Richfield Industrial Centre,Eunos Avenue 7,

SINGAPORE-409574

Tel.+65 81617572 ,Mobile: +86 13586509674

Email : sales@elite-instrument.com / snreddy@elite-instruments.com

www.elite-instrument.com

www.elite-instruments.com